



EMERGENCY CATALOGUE



RELIABILITY WHEN IT COUNTS

Ektor is a star of the Australian Emergency Lighting Industry. Founded in 2004, it was the first to use LED exits, introduced the first DALI range in 2006, achieved the first DALI-2 certified emergency exit, and the first to build wireless connectivity on AS/NZS 62386-104.

With so many 'firsts' it's no surprise Ektor is at the forefront of compliance, design and testing.

Designed in Australia, for Australian and New Zealand conditions, Ektor maintains complete production control throughout the entire manufacturing process.



Evolt is the parent company of Ektor and aims to deliver a wide range of reliable products at an affordable price across Australia and New Zealand.

Under new ownership since 2020, Evolt is moving towards a more customer-centric and product-focused approach, building on its established reputation for reliability and quality.

Evolt invests heavily in research and testing, with stringent internal due diligence and compliance, with safety testing carried out by third parties.

CUSTOMER-CENTRIC

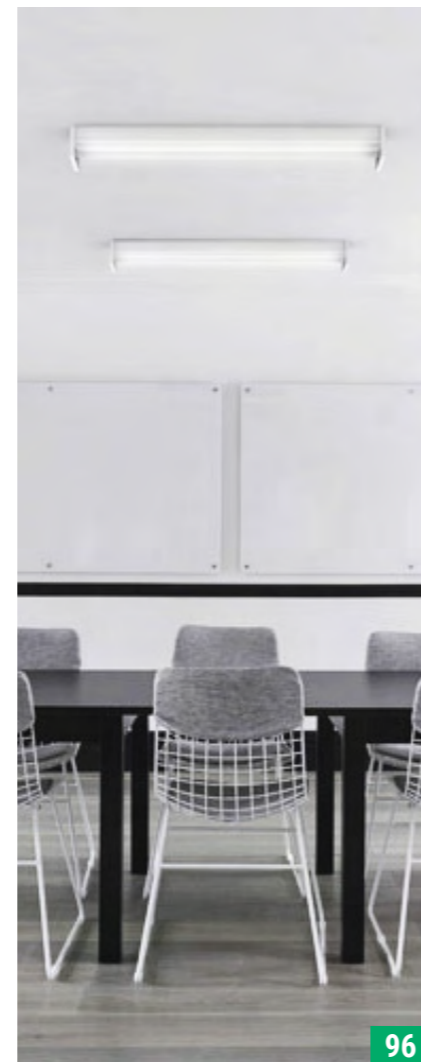
- Dedicated Territory Account Managers and Customer Service team
- Data sheets and installation manuals for ease of use
- Multiple warehouse locations for increased stock holdings and faster deliveries
- Continual customer 'listening', and research and development for product improvement

IF IT DOESN'T MEET OUR **HIGH STANDARDS** FIRST, IT'S BACK TO THE DRAWING BOARD


14

58

76

90

96

84

114
COMPLIANCE 12
EXIT SIGNS 14
Razor

Core.....	16
Advanced.....	18
Professional 24m.....	20
Professional 16m.....	24
Surface Mount Core.....	24
Surface Mount Advanced.....	26
Surface Mount Professional.....	28
Swing.....	30
Flex.....	32
Pendant.....	34

Mercury

Core.....	36
Advanced.....	38
Professional.....	40
Dynamic.....	42
Vandal Resistant Case.....	44
Weatherproof Case.....	46

Jumbo

Core.....	48
Professional.....	50

Boxit

Ceiling.....	52
Wall.....	54
Slim.....	56

LED FIRE 58
Ledfire

All-in-one.....	60
Core.....	62
Advanced.....	64
Professional.....	66

Ledfire Surface Mount IP65

Core.....	68
Advanced.....	70

Ledfire Surface Mount

Professional.....	72
-------------------	----

Accessories

Ledfire Dome.....	74
-------------------	----

PEARL 76
Pearl IP20

Core.....	78
-----------	----

Pearl IP54

Advanced.....	80
---------------	----

Pearl IP65

Professional.....	82
-------------------	----

QUADRO 84
Quadro IP65

Advanced.....	86
Professional.....	88

TWINSPOT 90
Twinspot

Advanced.....	92
Professional.....	94

UMBRA 96
Umbra Diffused

Core.....	98
Advanced.....	100
Professional.....	102

Umbra Wireguard

Advanced.....	104
---------------	-----

Umbra IP65

Core.....	106
Advanced.....	108
Professional.....	110

CONTROLLERS 114
AWAC-2

Professional.....	116
-------------------	-----

Lynk Gateway

Lynk.....	118
-----------	-----

Emergency Timer

Core.....	120
Professional.....	122

WARRANTY 124
TERMS & CONDITIONS 126

LYNK

WIRELESS CONTROL WITHOUT COMPLICATION OR MESS

Help meet regulatory compliance with **Lynk**, Ektor's wireless test and monitoring solution.

Simple and easy to use, the **Lynk Wireless Solution** reduces the substantial ongoing maintenance and testing costs required for emergency lighting compliance.

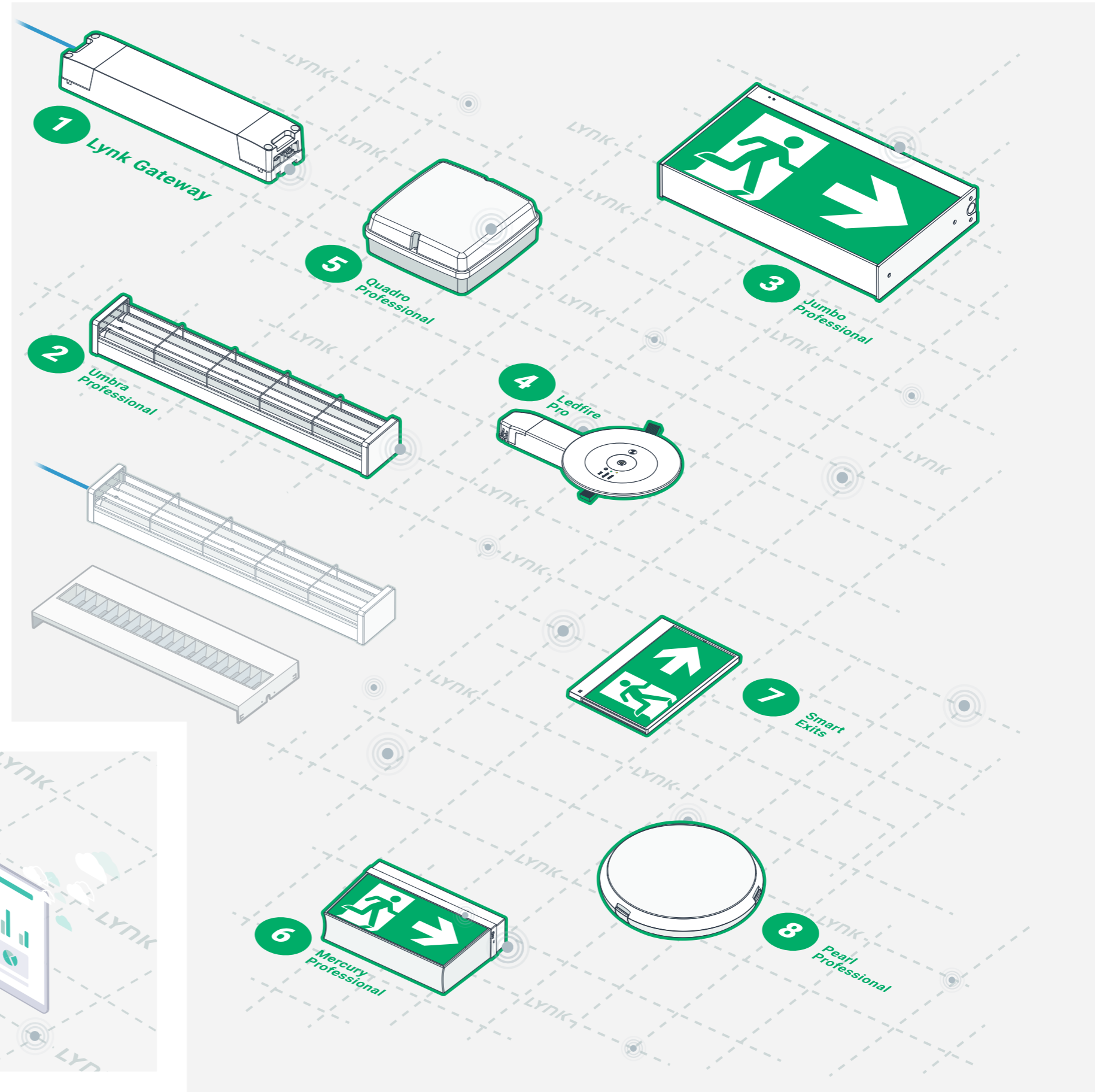
THE BEST WIRELESS EMERGENCY SOLUTION

Lynk's sophisticated mesh connectivity exhibits real-time reporting, with expansion capacity across wired and wireless networks.

Behind a simple, easy-to-use interface, a powerful, self-linking, self-healing solution resides. Providing ultra-fast wireless connectivity, **Lynk** has no need for additional cables or wires, making it easy to deploy or retrofit.

Why Lynk?

- Built on DALI+ technology allowing for open source connectivity
- Easy to install with no additional wires or cables
- Suits any size installation
- Intelligent meshing technology with a powerful, self-linking and self-healing system
- Protected cloud-controlled platform allowing managed multi-user and multi-tenancy access controls
- Real-time reporting with expansion capacity across wired and wireless networks
- Built on IEC62386-104 - the only IEC standard for wireless lighting control



Visit our website to learn more about Lynk

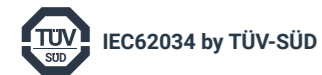
LYNK

REGULATORY COMPLIANCE

Save money and help achieve AS2293 building compliance with the *Lynk Wireless Solution*.

Lynk is designed to integrate and work with the zencontrol cloud platform, a system tested and certified to IEC62034 by TÜV Rheinland.

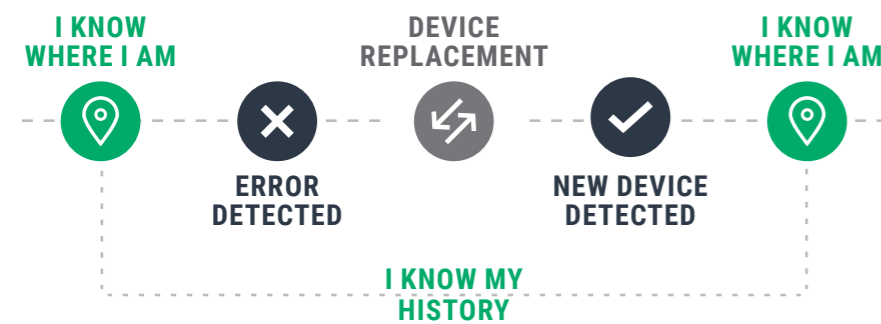
This additional testing ensures it meets the requirements of a safe and reliable monitoring system.



TEST MANAGEMENT & TRACEABILITY

Ektor emergency testing provides a full test management solution. Instead of tracking and testing individual emergency devices, the *Lynk* system is **based on the location of each unit**. With this method, the addition, replacement or removal of emergency devices maintains a full, 'through-life' traceability.

This test management system eliminates the issue of devices being removed from the network without due process. For each test session, all changes, repairs and results are tracked and reported together to provide full test details.



THREAD, WIRELESS MESH CONNECTIVITY

Lynk emergency products are equipped with **state-of-the-art wireless meshing technology**. This connects nearby devices, creating a network for control and reporting.

The self-healing mesh makes *Lynk* easy to deploy or retrofit, as the emergency luminaries require no additional wire. The Bluetooth commissioning interface provides installers a quick and easy connection to the device, making configuration simple.



AUTOMATIC BACKUP OF TEST RESULTS

For Site Managers, compliance is improved and liability is reduced with the zencontrol cloud platform. Integrated with *Lynk*, this solution automatically backs up and stores all test results and maintenance data off-site.



COMPLIANCE

Through design, testing, quality systems, and representation, Ektor proves its ongoing commitment to compliance and reliability.

THIRD-PARTY TESTING

Ektor third-party testing is carried out by NATA certified test laboratories (The National Association of Testing Authorities) and ILAC MRA laboratory accredited bodies, in accordance with The National Construction Code.

Testing laboratories with an approved scope and certification from NATA and ILAC MRA produce test reports with either the NATA or ILAC MRA symbol. This official stamp is critical to ensure all tests have been performed correctly and to Australian Standard requirements.

Overseas testing laboratories, with approved scope, who are authorised signatories to the ILAC mutual recognition arrangement (MRA), carry certification from their respective national agency.

Examples of valid certified reports are detailed below:

- Australia – NATA
- Australia/New Zealand – JAS-NAS
- China – CNAS
- Japan – JAB
- Germany – DakKS

Note: Laboratory testing overseas to international test standards must include mandatory Australian deviations to meet national product requirements.

QUALITY SYSTEM

Reliability, certification, procedure.

A product carrying safety certification does not guarantee the product supplied to market is safe. Changes in the supply chain, in-house and on-line testing, and other variables, all need to be managed to ensure a consistently safe product.

Our systems, standards and procedures will deliver consistently safe, reliable, and repeatedly positive and proven outcomes in manufacturing.



AUSTRALIAN OWNED

Ektor's emergency products are manufactured in Australian owned and operated factories, certified and audited to ISO9001:2015 and ISO14001:2015 and are Sedex registered. Quality and reliability are of the highest importance, demonstrated to our customers time and time again.

FULL-CYCLE TESTING

Every range in the Ektor suite is subject to a full-cycle test before being packed and shipped. This rigorous process can take up to 32 hours and includes a complete charge, discharge and re-charge, ensuring products meet the requirements of our customers and our environment.

DESIGN LIFE

Warranties form our guarantee and the assurance we will stand behind our products, but more important than a product warranty is its design life. Customers pay significantly when the warranty of the product does not reflect the design life. A reduced design life results in more replacements and costs through the life of the product, regardless of the warranty period. It is always best practice to consider the product design life to ensure the lowest total cost of ownership

Design life criteria takes into consideration the requirements and performance needs of the product type. The design life of each Ektor product is calculated at its maximum rated ambient temperature for a true representation.



To achieve the highest design life with all Ektor products we use only quality materials and manufacture to endure the harshest of operating conditions. The size and rating of all components, including the capacitors, are de-rated and sized to provide the longest possible design life. All LEDs, batteries, and the battery capacity are carefully considered so products meet the rated duration throughout their life.

Our expertise in battery technology and degradation allows us to design Ektor products with the longest possible battery life and lowest cost of ownership.

EXIT SIGNS

FEATURES



EXCELLENT LUMINANCE

A quality design ensures maximum luminance while reducing glare, external light reflection and unevenness.



DECALS INCLUDED

Decals are included and can be mounted on both sides. They can also be purchased separately as an accessory.



LITHIUM BATTERIES

All Ektor exit signs use quality Lithium LiFePO₄ batteries. These are environmentally friendly and allow for maximum charging efficiency.

PRODUCT LINES

CORE

Reliability and quality features on a budget

6 years design life at max. ambient

5 year warranty

Compact form factor

High quality lithium (LiFePO₄) battery

Single and double sided decals

Easy changeable decals

Wall, ceiling, chain and rod mounting

Fully compliant to AS/NZS 2293

ADVANCED

Class leading features, highest reliability and lowest power options

8 years design life at max. ambient

6 year warranty

Standard form factor

High quality lithium (LiFePO₄) battery

Single and double sided decals

Easy changeable decals

Wall, ceiling, chain and rod mounting

Fully compliant to AS/NZS 2293

Lynk wireless mesh option

Self-test emergency monitoring

Low power consumption

Power monitoring

DALI certified (DT1)*

PROFESSIONAL

Class leading features, highest reliability and lowest power options

12 years design life at max. ambient

8 year warranty

Standard form factor

High quality lithium (LiFePO₄) battery

Single and double sided decals

Easy changeable decals

Wall, ceiling, chain and rod mounting

Fully compliant to AS/NZS 2293

Lynk wireless mesh option

Self-test emergency monitoring

Lowest power consumption

Power monitoring

DALI certified (DT1)

Smart battery charge

OVERVIEW

	MOUNTING TYPE					VIEWING DISTANCE			PRODUCT VARIANTS		
	Ceiling	Wall	Recessed	Suspended	Rod	16m	24m	40m	Core	Advanced	Professional
Boxit	✓	✓		✓	✓		✓		✓		
Jumbo	✓	✓	✓	✓				✓	✓		✓
Mercury	✓	✓		✓	✓		✓		✓	✓	✓
Razor	✓	✓	✓	✓**	✓**	✓	✓		✓	✓	✓
Razor SM	✓	✓		✓*	✓*		✓		✓	✓	✓

* Available on selected models

** With accessory

Our range of exits come in a variety of styles, sizes and mounting options. The Razor (pictured) is available in standard white or theatre black. Its quality design ensures maximum luminance while reducing glare, external light reflection and unevenness.

Images are for illustrative purposes only, and are subject to change without notice

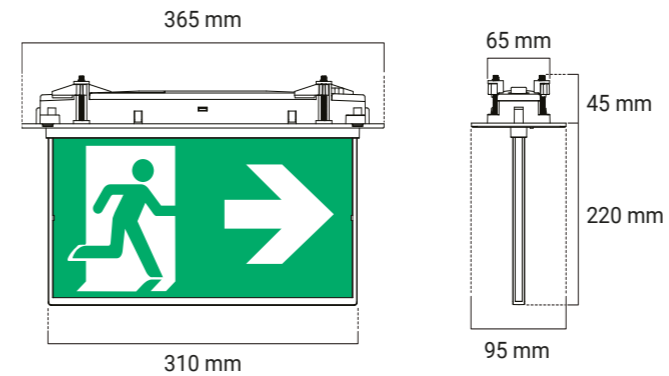
RAZOR

CORE



Last updated: 24 November 2022 V 1.1

DIMENSIONS



FEATURES

GENERAL FEATURES

- Fully compliant (AS/NZS 2293)
- Single and double sided decals
- Available in low illumination area black model
- Replaceable easy fit, quick release decals

BUILT TO LAST

- LED light source
- Long life electronics
- 6 years design life at max. ambient
- High quality lithium battery (LiFePO₄) and smart charger

SUITABLE INSTALLATION TYPES (OUT OF THE BOX)

- Standalone (SPU)

ACCESSORY RANGE

SKU	ORDER CODE	DESCRIPTION
02991	EV-RAZOR-24M-DIFF	Razor 24M replacement diffuser blade including RM Decal pack
02922	EV-RAZOR-24M-DIFF-B	Razor 24M replacement diffuser blade including RM Decal pack - Black
02987	EV-RAZOR-24M-DP	Razor 24M Decal Pack
02988	EV-RAZOR-24M-DP-B	Razor 24M Decal Pack - Black
01961	EV-RAZOR-CLEAR-DECAL-SINGLE	Razor 24M Clear Decal Pack
05302	EV-RAZOR-PLATE	Steel Plate for Large Hole in ceiling
13972	EV-1500MAH-3.2V-LIFEP04	LiFePO ₄ Battery 3.2V 1500mAh

OPERATIONAL INFORMATION

GENERAL			
Voltage	230V~ 50Hz		
Ambient temp.	0 to 40°C		
Class	2		
IP rating	IP20		
Wiring	Flex & plug 1.2m		
Mounting type	Recessed		
Lamp power	1 W		
EMERGENCY			
Emergency lamp power	1 W		
Rated duration	90 min		
Classification	C0:E6.3, C90:E20 (white model only)		
BATTERY		CHARGE	
Type	LiFePO ₄	Type	Smart charge
Voltage	3.2 V	Time	16 Hours
Codes	13972	Operation	Variable
CONSTRUCTION			
Viewing distance	24M	Decal size	300 x 150 mm
Cut-out	65 x 305 mm	Diffuser	PMMA
Body	PC (UV Stabilised)	Gear tray	PC
COMPLIANCE			
Standards	AS 60598.2.22 AS/NZS 2293.3 IEC 60598-2-22 IEC 55015 AS CISPR 15	AS/NZS 60598.1 AS/NZS 61347.1 AS/NZS 61347.2.13 AS/NZS 60598.2.2 (IC-4)	

NOTE: For more information on the chemical resistance of our polycarbonate or our compliance documentation, please see our website.

TOTAL POWER CONSUMPTION (TPC)

MAINTAINED MODE	
MAX.	AVG.
2.5 W	2.3 W

NOTE: Average power consumption calculated with the assumption of four emergency events per year and that the battery charger is in standby at all other times (above typical usage).

LED LIFETIME

EV-RAZOR-CORE-24M	78Y/3M
EV-RAZOR-SM-CORE-24M-B	6Y/4M

PRODUCT RANGE (WHITE)

ORDER CODE	PRODUCT NUMBER	SKU
EV-RAZOR-CORE-24M	9336462121214	12121

PRODUCT RANGE (BLACK)

ORDER CODE	PRODUCT NUMBER	SKU
EV-RAZOR-CORE-24M-B	9336462121221	12122

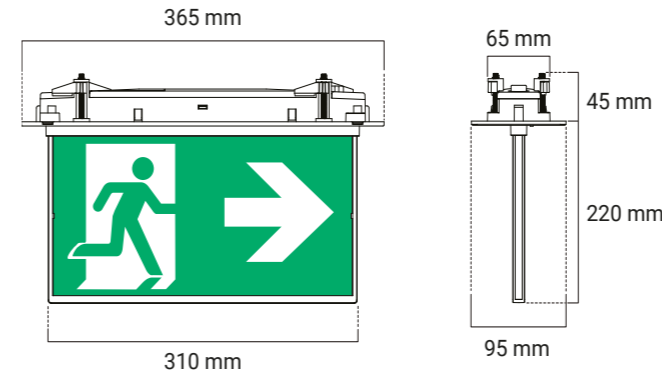
RAZOR

ADVANCED

LYNK



DIMENSIONS



FEATURES

GENERAL FEATURES

- Single and double sided decals
- Soft-start charger to reduce building load
- Available in low illumination area black model
- Fast emergency switch-over (<0.5s) for high-task areas
- Wireless meshing system*

BUILT TO LAST

- Long life electronics
- 8 years design life at max. ambient
- High quality lithium battery (LiFePO₄) and smart charger

SUITABLE INSTALLATION TYPES (OUT OF THE BOX)

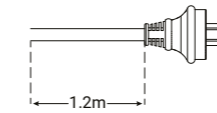
- Standalone (SPU)
- Self test (AS2293/IEC62034)
- DALI (IEC62386)
- Ektor wired monitored system
- IEC62386 over IEC62386-104*
- Wireless monitoring*

LED LIFETIME

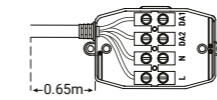
EV-RAZOR-ADV-24M	26Y/05M
EV-RAZOR-ADV-24M-B	34Y/04M

PLUG TYPES

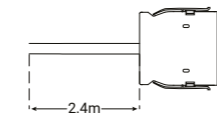
Flex & Plug



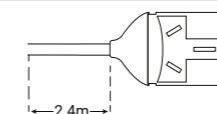
Terminal Block



CMS 5-Pin Lead (Model:QFP3AT)



Wire By Click 5-Pin Lead (Model: LA1025/5)



OPERATIONAL INFORMATION

GENERAL			
Voltage	230V~ 50Hz	Ambient temp.	0 to 40°C
Class	2	IP rating	IP20
Mounting type	Recessed		
CONTROL			
Wired	DALI Monitored (DT1)		
Wireless	IEC62386-104 (Wireless DT1)		
EMERGENCY			
Emergency lamp power	0.65 W (white model) 0.35 W (black model)		
Rated duration	90 min		
Classification	C0:E6.3, C90:E10 (white model only)		
BATTERY		CHARGE	
Type	LiFePO ₄	Type	Smart charge
Voltage	3.2 V	Time	16 Hours
Codes	13972	Operation	Variable
CONSTRUCTION			
Viewing distance	24M	Decal size	300 x 150 mm
Cut-out	65 x 305 mm	Diffuser	PMMA
Body	PC (UV Stabilised)	Gear tray	PC
COMPLIANCE			
Standards	AS 60598.2.22 AS/NZS 2293.3 IEC 60598-2-22 IEC 55015 AS CISPR 15	AS/NZS 60598.1 AS/NZS 61347.1 AS/NZS 61347.2.13 IEC 62386-102 IEC 62386-202 AS/NZS 60598.2.2 (IC-4)	

NOTE: For more information on the chemical resistance of our polycarbonate or our compliance documentation, please see our website.

TOTAL POWER CONSUMPTION (TPC)

	MAINTAINED MODE	
	MAX.	AVG.
WHITE MODEL	2.5 W	2.3 W
BLACK MODEL	2 W	1.7 W

NOTE: Average power consumption calculated with the assumption of four emergency events per year and that the battery charger is in standby at all other times (above typical usage).

ACCESSORY RANGE

SKU	ORDER CODE	DESCRIPTION
02991	EV-RAZOR-24M-DIFF	Razor 24M replacement diffuser blade including RM Decal pack
02922	EV-RAZOR-24M-DIFF-B	Razor 24M replacement diffuser blade including RM Decal pack - Black
02987	EV-RAZOR-24M-DP	Razor 24M Decal Pack
02988	EV-RAZOR-24M-DP-B	Razor 24M Decal Pack - Black
01961	EV-RAZOR-CLEAR-DECAL-SINGLE	Razor 24M Clear Decal Pack
05302	EV-RAZOR-PLATE	Steel Plate for Large Hole in ceiling
13972	EV-1500MAH-3.2V-LIFEP04	LiFePO ₄ Battery 3.2V 1500mAh

PRODUCT RANGE (WHITE)		
ORDER CODE	PRODUCT NUMBER	SKU
EV-RAZOR-ADV-24M-DA-WBC	9336462122648	12264
Slimblade Advanced recessed Exit light 24M - w/ Wire By Click		
EV-RAZOR-ADV-24M-DA-CMS	9336462122662	12266
Slimblade Advanced recessed Exit light 24M - w/ CMS		
EV-RAZOR-ADV-24M-DA-JB	9336462122686	12268
Slimblade Advanced recessed Exit light 24M - w/ Terminal Block		
EV-RAZOR-ADV-24M-LK	9336462122723	12272
Slimblade Advanced recessed Exit light 24M - w/wireless		

PRODUCT RANGE (BLACK)		
ORDER CODE	PRODUCT NUMBER	SKU
EV-RAZOR-ADV-24M-B-DA-WBC	9336462122655	12265
Slimblade Advanced recessed Exit light 24M - w/ Wire By Click - Black		
EV-RAZOR-ADV-24M-B-DA-CMS	9336462122679	12267
Slimblade Advanced recessed Exit light 24M - w/ CMS - Black		
EV-RAZOR-ADV-24M-B-DA-JB	9336462122693	12269
Slimblade Advanced recessed Exit light 24M - w/ Terminal Block - Black		
EV-RAZOR-ADV-24M-B-LK	9336462122747	12274
Slimblade Advanced recessed Exit light 24M - w/wireless - Black		

* LYNK models only

RAZOR 24M

PROFESSIONAL

LYNK



CERTIFIED

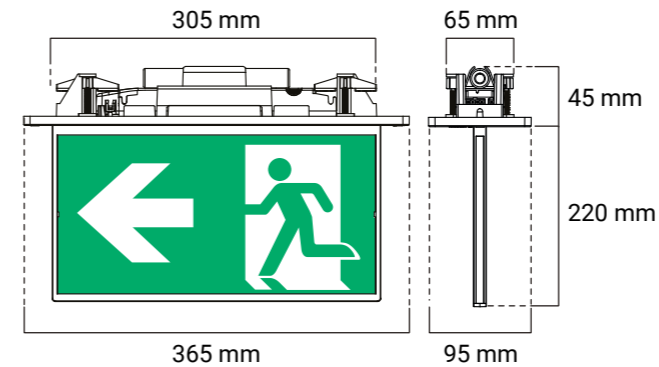


Last updated: 24 November 2022 V 1.1

PRODUCT RANGE (WHITE)		
ORDER CODE	PRODUCT NUMBER	SKU
EV-RAZOR-PRO-24M-DA Razor Recessed Emergency edgelite Exit - 24M - DALI - w/ Flex & Plug	9336462026861	02686
EV-RAZOR-PRO-24M-DA-WBC Razor Recessed Emergency edgelite Exit - 24M - DALI - w/ Wire By Click	9336462026915	02691
EV-RAZOR-PRO-24M-DA-CMS Razor Recessed Emergency edgelite Exit - 24M - DALI - w/ CMS	9336462026939	02693
EV-RAZOR-PRO-24M-DA-JB Razor Recessed Emergency edgelite Exit - 24M - DALI - w/ Junction Box	9336462026953	02695
EV-RAZOR-24M-PRO-LK Lynk Razor Professional Recessed Emergency Slimblade Exit, 24M - w/wireless	9336462181003	18100

PRODUCT RANGE (BLACK)		
ORDER CODE	PRODUCT NUMBER	SKU
EV-RAZOR-24M-PRO-24M-B-DA Razor Recessed Emergency edgelite Exit - 24M - DALI - w/ Flex & Plug - Black	9336462026878	02687
EV-RAZOR-PRO-24M-B-DA-WBC Razor Recessed Emergency edgelite Exit - 24M - DALI - w/ Wire By Click - Black	9336462026922	02692
EV-RAZOR-PRO-24M-B-DA-CMS Razor Recessed Emergency edgelite Exit - 24M - DALI - w/ CMS - Black	9336462026946	02694
EV-RAZOR-PRO-24M-B-DA-JB Razor Recessed Emergency edgelite Exit - 24M - DALI - w/ Junction Box - Black	9336462026960	02696
EV-RAZOR-24M-PRO-B-LK Lynk Razor Professional Recessed Emergency Slimblade Exit, 24M, Black - w/wireless	9336462181010	18101

DIMENSIONS



FEATURES

GENERAL FEATURES

- Single and double sided decals
- Soft-start charger to reduce building load
- Available in low illumination area black model
- Fast emergency switch-over (<0.5s) for high-task areas
- Secondary LED for superior emergency classification
- Wireless meshing system*

BUILT TO LAST

- Long life electronics
- 12 years design life at max. ambient
- High quality lithium battery (LiFePO₄) and smart charger

SUITABLE INSTALLATION TYPES (OUT OF THE BOX)

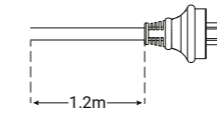
- Standalone (SPU)
- Self test (AS2293/IEC62034)
- DALI (IEC62386)
- Ektor wired monitored system
- IEC62386 over IEC62386-104*
- Wireless monitoring*

LED LIFETIME

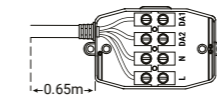
EV-RAZOR-24M-PRO	25Y/08M
EV-RAZOR-24M-PRO-B	40Y/06M

PLUG TYPES

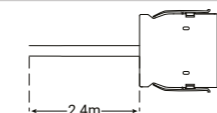
Flex & Plug



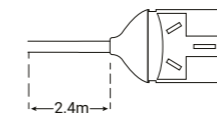
Terminal Block



CMS 5-Pin Lead (Model:QFP3AT)



Wire By Click 5-Pin Lead (Model: LA1025/5)



OPERATIONAL INFORMATION

GENERAL			
Voltage	230V~ 50Hz	Ambient temp.	0 to 40°C
Class	2	IP rating	IP20
Mounting type	Recessed (rod/surface/suspended accessories)		
Lamp power	0.75W		
CONTROL			
Wired	DALI Monitored (DT1)		
Wireless	IEC62386-104 (Wireless DT1)		
EMERGENCY			
Emergency power	0.75W	Rated duration	90 min
Classification	C0:C25, C90:C20 (white model) C0: E12.5, C90: E6.3 (black model)		
BATTERY CHARGE			
Type	LiFePO ₄	Type	Smart charge
Voltage	6.4 V	Time	16 Hours
Codes	01302	Operation	Multi-state
CONSTRUCTION			
Viewing distance	24M	Decal size	300 x 150 mm
Cut-out	305 x 65 mm	Diffuser	PMMA
Body	PC	Gear tray	PC
COMPLIANCE			
Standards	AS/NZS 60598.1 AS/NZS 60598.2.22 AS/NZS 61347.1 AS/NZS 61347.2.13	AS/NZS 60598.2.2 (IC-4 rated) AS/NZS 2293.3 IEC 60598-2-22 IEC 62386-104	IEC 62386-102 IEC 62386-202 IEC 62034 CISPR 15

NOTE: For more information on the chemical resistance of our polycarbonate or our compliance documentation, please see our website.

TOTAL POWER CONSUMPTION (TPC)

MAINTAINED MODE	
MAX.	AVG.
3.7 W	1.7 W

NOTE: Average power consumption calculated with the assumption of four emergency events per year and that the battery charger is in standby at all other times (above typical usage).

ACCESSORY RANGE

SKU	ORDER CODE	DESCRIPTION
02991	EV-RAZOR-24M-DIFF	Razor 24M replacement diffuser blade including RM Decal pack
02922	EV-RAZOR-24M-DIFF-B	Razor 24M replacement diffuser blade including RM Decal pack - Black
02987	EV-RAZOR-24M-DP	Razor 24M Decal Pack
02988	EV-RAZOR-24M-DP-B	Razor 24M Decal Pack
01961	EV-RAZOR-CLEAR-DECAL-SINGLE	Razor 24M Clear Decal Pack
05302	EV-RAZOR-PLATE	Steel Plate for Large Hole in ceiling
02982	EV-RAZOR-LEDFIRE-SM-KIT-B	Surface Mounted Kit - Black
02981	EV-RAZOR-LEDFIRE-SM-KIT	Surface Mounted Kit
01990	EV-RODMOUNT-WHT	Rod mount, incl. bracket for roof/body**
02004	EV-RODMOUNT-BLK	Rod mount, incl. bracket for roof/body - Black**
01302	EV-1500MAH-6.4V-LIFEP04	LiFePO ₄ Battery 6.4V 1500mAh

* Lynk models only

** For use with surface mount kit

RAZOR 16M

PROFESSIONAL
LYNK

CERTIFIED

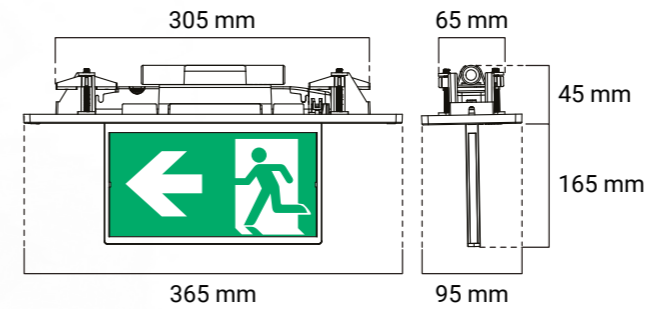

Last updated: 24 November 2022 V 1.1

PRODUCT RANGE (WHITE)

ORDER CODE	PRODUCT NUMBER	SKU
EV-RAZOR-16M-PRO Slimblade Recessed Emergency Exit	9336462026847	02684
EV-RAZOR-16M-PRO-DA-JB Razor Recessed Emergency edgelite Exit with Terminal Block - 16M Pro	9336462115626	11562
EV-RAZOR-16M-PRO-LK Lynk Razor Professional Recessed Emergency Slimblade Exit, 16M - w/wireless	9336462180662	18066

PRODUCT RANGE (BLACK)

ORDER CODE	PRODUCT NUMBER	SKU
EV-RAZOR-16M-PRO-B Black Slimblade Recessed Emergency Exit	9336462026854	02685
EV-RAZOR-16M-PRO-B-LK Lynk Razor Professional Recessed Emergency Slimblade Exit, 16M, Black - w/wireless	9336462180679	18067

DIMENSIONS

PRODUCT RANGE
GENERAL FEATURES

- Single and double sided decals
- Soft-start charger to reduce building load
- Available in low illumination area black model
- Fast emergency switch-over (<0.5s) for high-task areas
- Secondary LED for superior emergency classification
- Wireless meshing system*

BUILT TO LAST

- Long life electronics
- 12 years design life at max. ambient
- High quality lithium battery (LiFePO₄) and smart charger

SUITABLE INSTALLATION TYPES (OUT OF THE BOX)

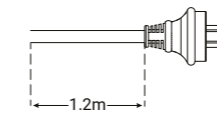
- Standalone (SPU)
- Self test (AS2293/IEC62034)
- DALI (IEC62386)
- Ektor wired monitored system
- IEC62386 over IEC62386-104*
- Wireless monitoring*

LED LIFETIME

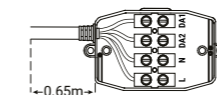
EV-RAZOR-16M-PRO	18Y/00M
EV-RAZOR-16M-PRO-B	26Y/10M

PLUG TYPES

Flex & Plug



Terminal Block


OPERATIONAL INFORMATION

GENERAL			
Voltage	230V~ 50Hz	Ambient temp.	0 to 40°C
Ambient temp.	0 to 40°C	IP rating	IP20
Mounting type	Recessed (rod/surface/suspended accessories)		
Lamp power	0.6W		
CONTROL			
Wired	DALI Monitored (DT1)		
Wireless	IEC62386-104 (Wireless DT1)		
EMERGENCY			
Emergency power	0.75W	Rated duration	90 min
Classification	C0:C40, C90:C32 (white model) C0:12.5, C90:E6.3 (black model)		
BATTERY		CHARGE	
Type	LiFePO ₄	Type	Smart charge
Voltage	6.4 V	Time	16 Hours
Codes	01302	Operation	Multi-state
CONSTRUCTION			
Viewing distance	16M	Decal size	200 x 100 mm
Cut-out	305 x 65 mm	Diffuser	PMMA
Body	PC	Gear tray	PC
COMPLIANCE			
Standards	AS 60598.2.22 AS/NZS 60598.2.2 (IC-4 rated) AS/NZS 2293.3	AS/NZS 60598.1 AS/NZS 61347.1 AS/NZS 61347.2.13 IEC 62034 IEC 60598-2-22	IEC 62386-102 IEC 62386-202 IEC 62034 CISPR 15

NOTE: For more information on the chemical resistance of our polycarbonate or our compliance documentation, please see our website.

TOTAL POWER CONSUMPTION (TPC)

MAINTAINED MODE		
MAX.	AVG.	
3.7 W	1.7 W	

NOTE: Average power consumption calculated with the assumption of four emergency events per year and that the battery charger is in standby at all other times (above typical usage).

ACCESSORY RANGE

SKU	ORDER CODE	DESCRIPTION
02989	EV-RAZOR-16M-DIFF	Razor 16M Diffuser
02990	EV-RAZOR-16M-DIFF-B	Razor 16M Diffuser - Black
02985	EV-RAZOR-16M-DP	Razor 16M decal pack
02986	EV-RAZOR-16M-DP-B	Razor 16M decal pack - Black
02981	EV-RAZOR-LEDFIRE-SM-KIT	Surface Mounted Kit
02982	EV-RAZOR-LEDFIRE-SM-KIT-B	Surface Mounted Kit - Black
05302	EV-RAZOR-PLATE	Steel Plate for Large Hole in Ceiling
01990	EV-RODMOUNT-WHT	Rod mount, incl. bracket for roof/body**
02004	EV-RODMOUNT-BLK	Rod mount, incl. bracket for roof/body - Black**
01302	EV-1500MAH-6.4V-LIFEP04	LiFePO ₄ Battery 6.4V 1500mAh

* Lynk models only

** For use with surface mount kit

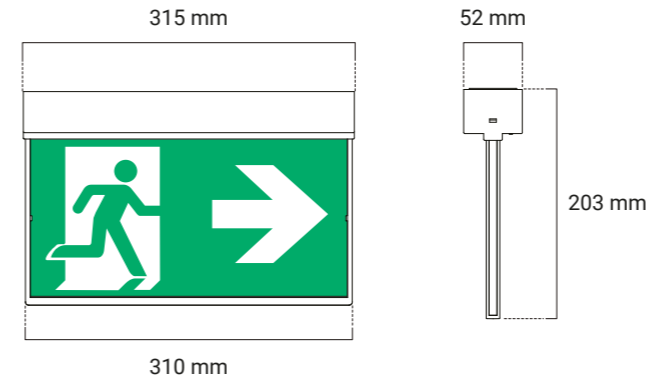
RAZOR SURFACE MOUNT

CORE



Last updated: 24 November 2022 - V 1.1

DIMENSIONS



FEATURES

GENERAL FEATURES

- Fully compliant (AS/NZS 2293)
- Single and double sided decals
- Available in low illumination area black model
- Replaceable easy fit, quick release decals

BUILT TO LAST

- LED light source
- Long life electronics
- 6 years design life at max. ambient
- High quality lithium battery (LiFePO₄) and smart charger

SUITABLE INSTALLATION TYPES (OUT OF THE BOX)

- Standalone (SPU)

ACCESSORY RANGE

SKU	ORDER CODE	DESCRIPTION
02991	EV-RAZOR-24M-DIFF	Razor 24M replacement diffuser blade including RM Decal pack
02922	EV-RAZOR-24M-DIFF-B	Razor 24M replacement diffuser blade including RM Decal pack - Black
02987	EV-RAZOR-24M-DP	Razor 24M Decal Pack
02988	EV-RAZOR-24M-DP-B	Razor 24M Decal Pack
01961	EV-RAZOR-CLEAR-DECAL-SINGLE	Razor 24M Clear Decal Pack
05196	EV-RAZOR-SM-CORE-WB	Wall Bracket to suit EV-RAZOR-SM-CORE - White
13972	EV-1500MAH-3.2V-LIFEP04	LiFePO ₄ Battery 3.2V 1500mAh

OPERATIONAL INFORMATION

GENERAL			
Voltage	230V~ 50Hz		
Ambient temp.	0 to 40°C		
Class	2		
IP rating	IP20		
Wiring	Terminal block		
Mounting type	Surface		
Lamp power	1 W		
EMERGENCY			
Emergency lamp power	1 W		
Rated duration	90 min		
Classification	C0:E6.3, C90:E20 (white model only)		
BATTERY		CHARGE	
Type	LiFePO ₄	Type	Smart charge
Voltage	3.2 V	Time	16 Hours
Codes	13972	Operation	Variable
CONSTRUCTION			
Viewing distance	24M	Decal size	300 x 150 mm
Cut-out	N/A	Diffuser	PMMA
Body	PC (UV Stabilised)	Gear tray	PC
COMPLIANCE			
Standards	AS 60598.2.22 AS/NZS 2293.3 IEC 60598-2-22 IEC 55015 AS CISPR 15	AS/NZS 60598.1 AS/NZS 61347.1 AS/NZS 61347.2.13	

NOTE: For more information on the chemical resistance of our polycarbonate or our compliance documentation, please see our website.

TOTAL POWER CONSUMPTION (TPC)

	MAINTAINED MODE	
	MAX.	AVG.
WHITE MODEL	2.6 W	1.9 W
BLACK MODEL	2 W	1.7 W

NOTE: Average power consumption calculated with the assumption of four emergency events per year and that the battery charger is in standby at all other times (above typical usage).

LED LIFETIME

EV-RAZOR-SM-CORE-24M	78Y/3M
EV-RAZOR-SM-CORE-24M-B	6Y/4M

PRODUCT RANGE (WHITE)

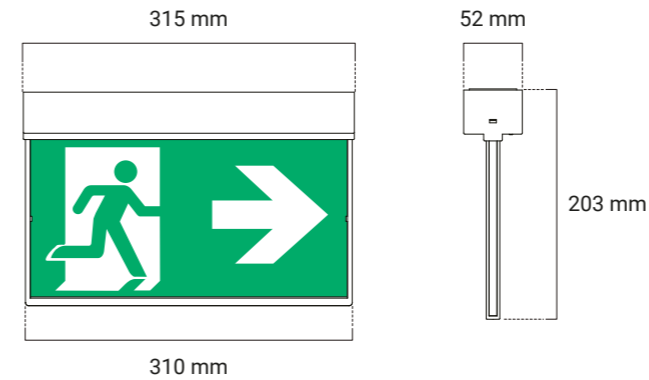
ORDER CODE	PRODUCT NUMBER	SKU
EV-RAZOR-SM-CORE-24M	9336462121238	12123
Slimblade Core Surface-mount Exit light 24M		

PRODUCT RANGE (BLACK)

ORDER CODE	PRODUCT NUMBER	SKU
EV-RAZOR-SM-CORE-24M-B	9336462121245	12124
Slimblade Core Surface-mount Exit light 24M - Black		

RAZOR SURFACE MOUNT

ADVANCED
LYNK

DIMENSIONS

FEATURES
GENERAL FEATURES

- Single and double sided decals
- Soft-start charger to reduce building load
- Available in low illumination area black model
- Fast emergency switch-over (<0.5s) for high-task areas
- Wireless meshing system*

BUILT TO LAST

- Long life electronics
- 8 years design life at max. ambient
- High quality lithium battery (LiFePO₄) and smart charger

SUITABLE INSTALLATION TYPES (OUT OF THE BOX)

- Standalone (SPU)
- Self test (AS2293/IEC62034)
- DALI (IEC62386)
- Ektor wired monitored system
- IEC62386 over IEC62386-104*
- Wireless monitoring*

ACCESSORY RANGE

SKU	ORDER CODE	DESCRIPTION
02991	EV-RAZOR-24M-DIFF	Razor 24M replacement diffuser blade including RM Decal pack
02922	EV-RAZOR-24M-DIFF-B	Razor 24M replacement diffuser blade including RM Decal pack - Black
02987	EV-RAZOR-24M-DP	Razor 24M Decal Pack
02988	EV-RAZOR-24M-DP-B	Razor 24M Decal Pack
01961	EV-RAZOR-CLEAR-DECAL-SINGLE	Razor 24M Clear Decal Pack
05196	EV-RAZOR-SM-CORE-WB	Wall Bracket to suit EV-RAZOR-SM-CORE - White
13972	EV-1500MAH-3.2V-LIFEP04	LiFePO ₄ Battery 3.2V 1500mAh

OPERATIONAL INFORMATION

GENERAL			
Voltage	230V~ 50Hz		
Ambient temp.	0 to 40°C		
Class	2		
IP rating	IP20		
Wiring	Terminal block		
Mounting type	Surface		
Lamp power	1 W		
CONTROL			
Wired	DALI Monitored (DT1)		
Wireless	IEC62386-104 (Wireless DT1)		
EMERGENCY			
Emergency lamp power	0.65 W (white model) 0.35 W (black model)		
Rated duration	90 min		
Classification	C0:E6.3, C90:E10 (white model only)		
BATTERY		CHARGE	
Type	LiFePO ₄	Type	Smart charge
Voltage	3.2 V	Time	16 Hours
Codes	13972	Operation	Variable
CONSTRUCTION			
Viewing distance	24M	Decal size	300 x 150 mm
Cut-out	N/A	Diffuser	PMMA
Body	PC (UV Stabilised)	Gear tray	PC
COMPLIANCE			
Standards	AS 60598.2.22 AS/NZS 2293.3 IEC 60598-2-22 IEC 55015 AS CISPR 15	AS/NZS 60598.1 AS/NZS 61347.1 AS/NZS 61347.2.13 IEC 62386-102 IEC 62386-202	

NOTE: For more information on the chemical resistance of our polycarbonate or our compliance documentation, please see our website.

TOTAL POWER CONSUMPTION (TPC)

	MAINTAINED MODE	
	MAX.	AVG.
WHITE MODEL	2.6 W	1.9 W
BLACK MODEL	2 W	1.7 W

NOTE: Average power consumption calculated with the assumption of four emergency events per year and that the battery charger is in standby at all other times (above typical usage).

LED LIFETIME

EV-RAZOR-SM-ADV-24M	34Y/04M
EV-RAZOR-SM-ADV-24M-B	51Y/01M

PRODUCT RANGE (WHITE)

ORDER CODE	PRODUCT NUMBER	SKU
EV-RAZOR-SM-ADV-24M-DA	9336462122754	12275
Slimblade Advanced Surface-mount Exit light 24M - DALI		
EV-RAZOR-SM-ADV-24M-LK	9336462122761	12276
Slimblade Advanced Surface-mount Exit light 24M - w/wireless		

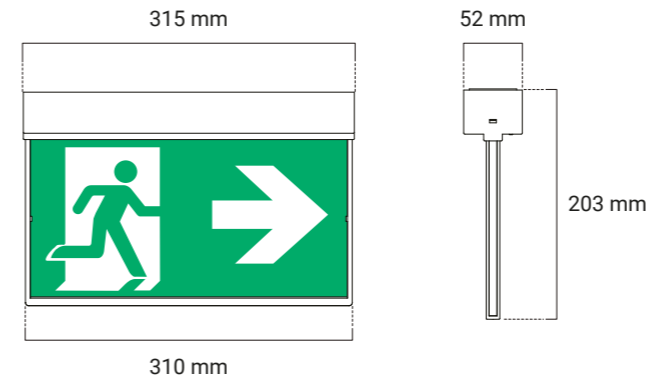
PRODUCT RANGE (BLACK)

ORDER CODE	PRODUCT NUMBER	SKU
EV-RAZOR-SM-ADV-24M-B-DA	9336462122778	12277
Slimblade Advanced Surface-mount Exit light 24M - DALI - Black		
EV-RAZOR-SM-ADV-24M-B-LK	9336462122785	12278
Slimblade Advanced Surface-mount Exit light 24M - w/wireless - Black		

* LYNK models only

RAZOR SURFACE MOUNT

PROFESSIONAL
LYNK

DIMENSIONS

FEATURES
GENERAL FEATURES

- Single and double sided decals
- Soft-start charger to reduce building load
- Available in low illumination area black model
- Fast emergency switch-over (<0.5s) for high-task areas
- Wireless meshing system*

BUILT TO LAST

- Long life electronics
- 12 years design life at max. ambient
- High quality lithium battery (LiFePO₄) and smart charger

SUITABLE INSTALLATION TYPES (OUT OF THE BOX)

- Standalone (SPU)
- Self test (AS2293/IEC62034)
- DALI (IEC62386)
- Ektor wired monitored system
- IEC62386 over IEC62386-104*
- Wireless monitoring*

ACCESSORY RANGE

SKU	ORDER CODE	DESCRIPTION
02991	EV-RAZOR-24M-DIFF	Razor 24M replacement diffuser blade including RM Decal pack
02922	EV-RAZOR-24M-DIFF-B	Razor 24M replacement diffuser blade including RM Decal pack - Black
02987	EV-RAZOR-24M-DP	Razor 24M Decal Pack
02988	EV-RAZOR-24M-DP-B	Razor 24M Decal Pack
01961	EV-RAZOR-CLEAR-DECAL-SINGLE	Razor 24M Clear Decal Pack
05196	EV-RAZOR-SM-CORE-WB	Wall Bracket to suit EV-RAZOR-SM-CORE - White
13845	EV-2100MAH-3.2V-LIFEP04	LiFePO ₄ Battery 3.2V 2100mAh

OPERATIONAL INFORMATION

GENERAL			
Voltage	230V~ 50Hz		
Ambient temp.	0 to 40°C		
Class	2		
IP rating	IP20		
Wiring	Terminal block		
Mounting type	Surface		
Lamp power	1 W		
CONTROL			
Wired	DALI Monitored (DT1)		
Wireless	IEC62386-104 (Wireless DT1)		
EMERGENCY			
Emergency lamp power	0.65 W (white model) 0.35 (black model)		
Rated duration	90 min		
Classification	C0:E6.3, C90:E10 (white model only)		
BATTERY		CHARGE	
Type	LiFePO ₄	Type	Smart charge
Voltage	3.2 V	Time	16 Hours
Codes	13845	Operation	Variable
CONSTRUCTION			
Viewing distance	24M	Decal size	300 x 150 mm
Cut-out	N/A	Diffuser	PMMA
Body	PC (UV Stabilised)	Gear tray	PC
COMPLIANCE			
Standards	AS 60598.2.22 AS/NZS 2293.3 IEC 60598-2-22 IEC 55015 AS CISPR 15	AS/NZS 60598.1 AS/NZS 61347.1 AS/NZS 61347.2.13 IEC 62386-102 IEC 62386-202	

NOTE: For more information on the chemical resistance of our polycarbonate or our compliance documentation, please see our website.

TOTAL POWER CONSUMPTION (TPC)

	MAINTAINED MODE	
	MAX.	AVG.
WHITE MODEL	2.6 W	1.9 W
BLACK MODEL	2 W	1.7 W

NOTE: Average power consumption calculated with the assumption of four emergency events per year and that the battery charger is in standby at all other times (above typical usage).

LED LIFETIME

EV-RAZOR-SM-PRO-24M	34Y/04M
EV-RAZOR-SM-PRO-24M-B	51Y/01M

PRODUCT RANGE (WHITE)

ORDER CODE	PRODUCT NUMBER	SKU
EV-RAZOR-SM-PRO-24M-DA	9336462122952	12295
Slimblade Pro Surface-mount Exit light 24M - DALI		
EV-RAZOR-SM-PRO-24M-LK	9336462122976	12297
Slimblade Pro Surface-mount Exit light 24M - w/wireless		

PRODUCT RANGE (BLACK)

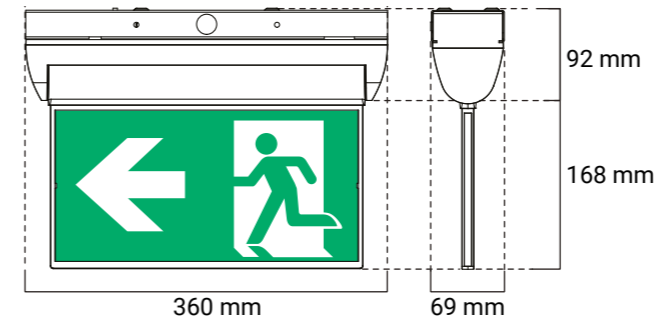
ORDER CODE	PRODUCT NUMBER	SKU
EV-RAZOR-SM-PRO-24M-B-DA	9336462122969	12296
Slimblade Pro Surface-mount Exit light 24M - DALI - Black		
EV-RAZOR-SM-ADV-24M-B-LK	9336462122983	12298
Slimblade Pro Surface-mount Exit light 24M - w/wireless - Black		

* LYNK models only

RAZOR SWING

PROFESSIONAL
LYNK

CERTIFIED

DIMENSIONS

FEATURES
GENERAL FEATURES

- Single and double sided decals
- Soft-start charger to reduce building load
- Available in low illumination area black model
- Fast emergency switch-over (<0.5s) for high-task areas
- Wireless meshing system*

BUILT TO LAST

- Long life electronics
- 12 years design life at max. ambient
- High quality lithium battery (LiFePO₄) and smart charger

SUITABLE INSTALLATION TYPES (OUT OF THE BOX)

- Self test (AS2293/ IEC62034)
- IEC62386 over IEC62386-104*
- Wireless monitoring*

ACCESSORY RANGE

SKU	ORDER CODE	DESCRIPTION
02987	EV-RAZOR-24M-DP	Razor 24M Decal Pack
02988	EV-RAZOR-24M-DP-B	Razor 24M Decal Pack - Black
01300	EV-1000MAH-6.4V-LIFEPO4	LiFePO ₄ Battery 6.4V 1000mAh Side-by-side

OPERATIONAL INFORMATION
GENERAL

Voltage	230V~ 50Hz
Ambient temp.	0 to 40°C
Class	1
IP rating	IP20
Wiring	Terminal block (1-16 mm \square)
Mounting type	Surface (suspended accessories)
Control	IEC62386-104 (Wireless DT1)
Lamp power	0.75W

EMERGENCY

Emergency power	0.75W
Rated duration	90 min
Classification	C0: E6.3, C90:E16 (white model only)

BATTERY

Type	LiFePO ₄	Type	Smart charge
Voltage	6.4 V	Time	16 Hours
Codes	01300	Operation	Multi-state

CONSTRUCTION

Viewing distance	24M	Decal size	300 x 150 mm
Body	PC	Diffuser	PMMA
Gear tray	PC		

COMPLIANCE

Standards	AS/NZS 60598.1	AS/NZS 2293.3	IEC 62386-202
	AS 60598.2.22	IEC 60598-2-22	IEC 62034
	AS/NZS 61347.1	IEC 62386-102	AS CISPR 15
	AS/NZS 61347.2.13		

NOTE: For more information on the chemical resistance of our polycarbonate or our compliance documentation, please see our website.

TOTAL POWER CONSUMPTION (TPC)

MAINTAINED MODE	
MAX.	AVG.
3.7 W	1.7 W

NOTE: Average power consumption calculated with the assumption of four emergency events per year and that the battery charger is in standby at all other times (above typical usage).

LED LIFETIME

EV-RAZOR-SWING-24M-PRO	31Y/06M
EV-RAZOR-SWING-24M-PRO-B	30Y/04M

PRODUCT RANGE (WHITE)

ORDER CODE	PRODUCT NUMBER	SKU
EV-RAZOR-SWING-24M-PRO	9336462145456	14545
Swing Slimblade Emergency Exit		
EV-RAZOR-SWING-24M-PRO-LK	9336462145470	14547
Lynk Razor Swing Slimblade Emergency Exit - w/wireless		

PRODUCT RANGE (BLACK)

ORDER CODE	PRODUCT NUMBER	SKU
EV-RAZOR-SWING-24M-PRO-B	9336462145463	14546
Swing Slimblade Emergency Exit, Black		
EV-RAZOR-SWING-24M-PRO-B-LK	9336462145487	14548
Lynk Razor Swing Slimblade Emergency Exit, Black - w/wireless		

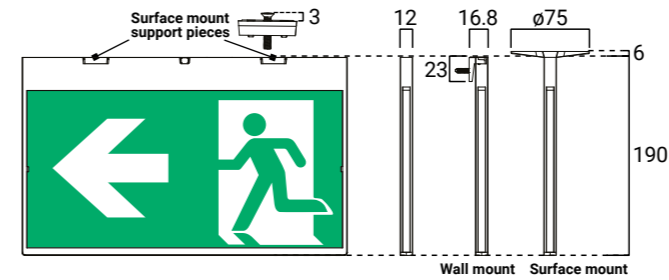
* Lynk models only

RAZOR FLEX

PROFESSIONAL



DIMENSIONS



FEATURES

GENERAL FEATURES

- Low profile and discrete form factor
- Single and double sided decals
- Soft-start charger to reduce building load
- Surface mounted exit sign with remote driver
- Wall or ceiling mount
- Fast emergency switch-over (<0.5s) for high-task areas

BUILT TO LAST

- Long life electronics
- 12 years design life at max. ambient
- High quality lithium battery (LiFePO₄) and smart charger

SUITABLE INSTALLATION TYPES (OUT OF THE BOX)

- Self test (AS2293/IEC62034)
- DALI (IEC62386)
- Ektor wired monitored system

ACCESSORY RANGE

SKU	ORDER CODE	DESCRIPTION
02987	EV-RAZOR-24M-DP	Razor 24M Decal Pack
02988	EV-RAZOR-24M-DP-B	Razor 24M Decal Pack - Black
01961	EV-RAZOR-CLEAR-DECAL-SINGLE	Razor 24M Clear Decal Pack
01302	EV-1500MAH-6.4V-LIFEP04	LiFePO ₄ Battery 6.4V 1500mAh

OPERATIONAL INFORMATION

GENERAL			
Voltage	230V~ 50Hz		
Ambient temp.	0 to 40°C		
Class	1		
IP rating	IP20		
Wiring	Re-wireable terminal block (5 pin)		
Mounting type	Surface		
Lamp power	0.75W		
EMERGENCY			
Emergency power	0.75W		
Rated duration	90 mins		
Classification	C0:D5, C90:E3.2		
BATTERY		CHARGE	
Type	LiFePO ₄	Type	Smart charge
Voltage	6.4 V	Time	16 Hours
Codes	01302	Operation	Multi-state
CONSTRUCTION			
Viewing distance	24M	Decal size	300 x 150 mm
Body	PC	Diffuser	PMMA
Gear tray	PC		
COMPLIANCE			
Standards	AS/NZS 60598.1 AS 60598.2.22 AS/NZS 61347.1 AS/NZS 61347.2.13	AS/NZS 2293.3 IEC 60598-2-22 IEC 62386-102	IEC 62386-202 IEC 62034 AS CISPR 15

NOTE: For more information on the chemical resistance of our polycarbonate or our compliance documentation, please see our website.

TOTAL POWER CONSUMPTION (TPC)

MAINTAINED MODE	
MAX.	AVG.
3.7 W	1.7 W

NOTE: Average power consumption calculated with the assumption of four emergency events per year and that the battery charger is in standby at all other times (above typical usage).

LED LIFETIME

EV-RAZOR-FLEX-PRO-24M	22Y/6M
-----------------------	--------

PRODUCT RANGE (WHITE)

ORDER CODE	PRODUCT NUMBER	SKU
EV-RAZOR-FLEX-PRO-24M		
Razor-Flex Pro slimline emergency edgelit Exit 24M	9336462177402	17740

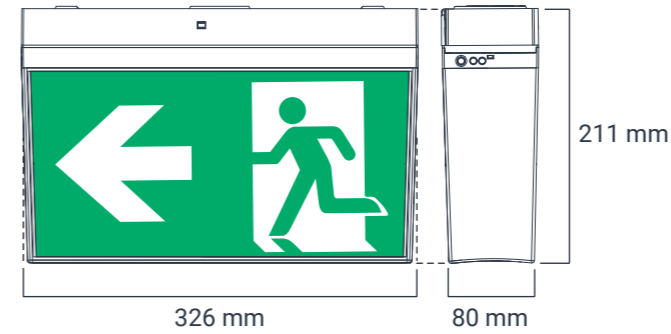
MERCURY

CORE



Last updated: 24 November 2022 - V 1.1

DIMENSIONS



FEATURES

GENERAL FEATURES

- Single and double sided decals
- Fully compliant (AS/NZS 2293)
- IP65 Weatherproof Case available (not included)

BUILT TO LAST

- Long life electronics
- 6 years design life at max. ambient
- High quality lithium battery (LiFePO₄) and smart charger

SUITABLE INSTALLATION TYPES (OUT OF THE BOX)

- Standalone (SPU)

ACCESSORY RANGE

SKU	ORDER CODE	DESCRIPTION
01915	EV-CANTILEVER	Cantilever bracket
11290	EV-MERCURY-BASIC-DP	Mercury Basic decal pack
03922	EV-MERCURY-CASE	Weatherproof Case for Mercury
11216	EV-MERCURY-CD-2	Mercury Clear Decal
11220	EV-MERCURY-CD-1	Mercury custom decal
12934	EV-MERCURY-DP-USD	Mercury Basic Decal Pack - Upside down white & green 3 x decals (left- right & straight)
03911	EV-MERCURY-WIREGUARD-CEILING	Ceiling mounted only Wire guard
05301	EV-MERCURY-WIREGUARD-WALL	Wall mounted only Wire guard
01990	EV-RODMOUNT-WHT	Rodmount Brackets only for roof and luminaire body - White (Rod size 25mm)
02004	EV-RODMOUNT-BLK	Rodmount Brackets only for roof and luminaire body - Black (Rod size -25mm)
11449	EV-MERCURY-VANDAL-SM	Mercury vandal resistant case - surface mount
01307	EV-1500MAH-3.2V-LIFEPO4-LOOM	LiFePO ₄ Battery 3.2V 1500mAh

OPERATIONAL INFORMATION

GENERAL			
Voltage	230V~ 50Hz		
Ambient temp.	0 to 40°C		
Class	2		
IP rating	IP20 (IP65 weatherproof case available)		
Wiring	Terminal block (1-16 mm \square)		
Mounting type	Surface / suspended (Rod Mount Kit available)		
Lamp power	1.0 W		
EMERGENCY			
Emergency power	1.0 W		
Rated duration	90 min		
Classification	C0:D5 (white model only)		
BATTERY		CHARGE	
Type	LiFePO ₄	Type	Smart charge
Voltage	3.2 V	Time	16 Hours
Codes	01307	Operation	Variable
CONSTRUCTION			
Viewing distance	24M	Decal size	300 x 150 mm
Body	PC	Diffuser	PC
COMPLIANCE			
Standards	AS/NZS 60598.1 AS 60598.2.22 AS/NZS 61347.1 AS/NZS 61347.2.13	IEC 60598-2-22 AS CISPR 15 AS/NZS 2293.3	

NOTE: For more information on the chemical resistance of our polycarbonate or our compliance documentation, please see our website.

TOTAL POWER CONSUMPTION (TPC)

MAINTAINED MODE		
	MAX.	AVG.
	3.5 W	2.2 W

NOTE: Average power consumption calculated with the assumption of four emergency events per year and that the battery charger is in standby at all other times (above typical usage).

PRODUCT RANGE (WHITE)

ORDER CODE	PRODUCT NUMBER	SKU
EV-MERCURY-CORE-24M	9336462112588	11258
Mercury Core Emergency Exit		

PRODUCT RANGE (BLACK)

ORDER CODE	PRODUCT NUMBER	SKU
EV-MERCURY-CORE-24M-B	9336462118023	11802
Mercury Core Emergency Exit - Black		

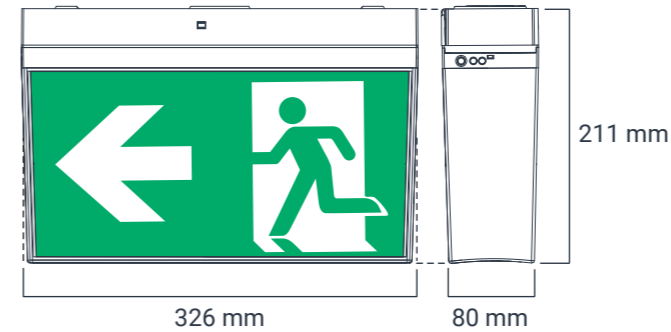
MERCURY

ADVANCED

LYNK



DIMENSIONS



FEATURES

GENERAL FEATURES

- Single and double sided decals
- Soft-start charger to reduce building load
- Available in low illumination area black model
- IP65 weatherproof case available (not included)
- Fast emergency switch-over (<0.5s) for high-task areas
- Wireless meshing system*

BUILT TO LAST

- Long life electronics
- 8 years design life at max. ambient
- High quality lithium battery (LiFePO₄) and smart charger

SUITABLE INSTALLATION TYPES (OUT OF THE BOX)

- Standalone (SPU)
- Self test (AS2293/ IEC62034)
- DALI (IEC62386)
- Ektor wired monitored system
- IEC62386 over IEC62386-104*
- Wireless monitoring*

ACCESSORY RANGE

SKU	ORDER CODE	DESCRIPTION
01915	EV-CANTILEVER	Cantilever bracket
11290	EV-MERCURY-BASIC-DP	Mercury Basic decal pack
03922	EV-MERCURY-CASE	Weatherproof Case for Mercury
11216	EV-MERCURY-CD-2	Mercury Clear Decal
11220	EV-MERCURY-CD-1	Mercury custom decal
12934	EV-MERCURY-DP-USD	Mercury Basic Decal Pack - Upside down white & green 3 x decals (left- right & straight)
03911	EV-MERCURY-WIREGUARD-CEILING	Ceiling mounted only Wire guard
05301	EV-MERCURY-WIREGUARD-WALL	Wall mounted only Wire guard
01990	EV-RODMOUNT-WHT	Rodmount Brackets only for roof and luminaire body - White (Rod size 25mm)
02004	EV-RODMOUNT-BLK	Rodmount Brackets only for roof and luminaire body - Black (Rod size -25mm)
11449	EV-MERCURY-VANDAL-SM	Mercury vandal resistant case - surface mount
13972	EV-1500MAH-3.2V-LIFEPO4	LiFePO4 Battery 3.2V 1500mAh

* LYNK models only

OPERATIONAL INFORMATION

GENERAL			
Voltage	230V~ 50Hz		
Ambient temp.	0 to 40°C		
Class	2		
IP rating	IP20 (IP65 weatherproof case available)		
Wiring	Terminal block (1-16 mm \varnothing)		
Mounting type	Surface / suspended (Rod Mount Kit available)		
Lamp power	1.0 W		
CONTROL			
Wired	DALI Monitored (DT1)		
Wireless	IEC62386-104 (Wireless DT1)		
EMERGENCY			
Emergency power	1.0 W		
Rated duration	90 min		
Classification	C0:D5 (white model only)		
BATTERY		CHARGE	
Type	LiFePO ₄	Type	Smart charge
Voltage	3.2 V	Time	16 Hours
Codes	13972	Operation	Variable
CONSTRUCTION			
Viewing distance	24M	Decal size	300 x 150 mm
Body	PC	Diffuser	PC
COMPLIANCE			
Standards	AS/NZS 60598.1 AS 60598.2.22 AS/NZS 61347.1 AS/NZS 61347.2.13	IEC 60598-2-22 AS CISPR 15 AS/NZS 2293.3	

NOTE: For more information on the chemical resistance of our polycarbonate or our compliance documentation, please see our website.

TOTAL POWER CONSUMPTION (TPC)

MAINTAINED MODE	
MAX.	AVG.
3.5 W	2.2 W

NOTE: Average power consumption calculated with the assumption of four emergency events per year and that the battery charger is in standby at all other times (above typical usage).

PRODUCT RANGE (WHITE)

ORDER CODE	PRODUCT NUMBER	SKU
EV-MERCURY-ADV-24M-DA	9336462122815	12281
Mercury Advanced Emergency Exit		
EV-MERCURY-ADV-24M-LK	9336462122822	12282
Mercury Advanced Emergency Exit - w/wireless		

PRODUCT RANGE (BLACK)

ORDER CODE	PRODUCT NUMBER	SKU
EV-MERCURY-ADV-24M-B-DA	9336462123003	12300
Mercury Advanced Emergency Exit - Black		
EV-MERCURY-ADV-24M-B-LK	9336462123010	12301
Mercury Advanced Emergency Exit - Black - w/wireless		

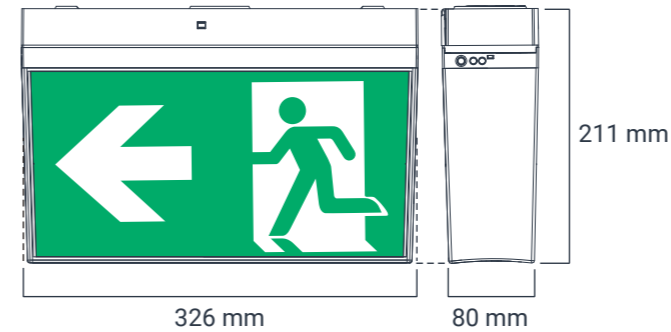
MERCURY

PROFESSIONAL

LYNK



DIMENSIONS



FEATURES

GENERAL FEATURES

- Single and double sided decals
- Soft-start charger to reduce building load
- Available in low illumination area black model
- IP65 Weatherproof Case available (not included)
- Fast emergency switch-over (<0.5s) for high-task areas
- Wireless meshing system*

BUILT TO LAST

- Long life electronics
- 12 years design life at max. ambient
- High quality lithium battery (LiFePO₄) and smart charger

SUITABLE INSTALLATION TYPES (OUT OF THE BOX)

- Standalone (SPU)
- Self test (AS2293/IEC62034)
- DALI (IEC62386)
- IEC62386 over IEC62386-104*
- Wireless monitoring*

ACCESSORY RANGE

SKU	ORDER CODE	DESCRIPTION
01915	EV-CANTILEVER	Cantilever bracket
11290	EV-MERCURY-BASIC-DP	Mercury Basic decal pack
03922	EV-MERCURY-CASE	Weatherproof Case for Mercury
11216	EV-MERCURY-CD-2	Mercury Clear Decal
11220	EV-MERCURY-CD-1	Mercury custom decal
12934	EV-MERCURY-DP-USD	Mercury Basic Decal Pack - Upside down white & green 3 x decals (left- right & straight)
03911	EV-MERCURY-WIREGUARD-CEILING	Ceiling mounted only Wire guard
05301	EV-MERCURY-WIREGUARD-WALL	Wall mounted only Wire guard
01990	EV-RODMOUNT-WHT	Rodmount Brackets only for roof and luminaire body - White (Rod size 25mm)
02004	EV-RODMOUNT-BLK	Rodmount Brackets only for roof and luminaire body - Black (Rod size -25mm)
11449	EV-MERCURY-VANDAL-SM	Mercury vandal resistant case - surface mount
01300	EV-1000MAH-6.4V-LIFEPO4	LiFePO ₄ Battery 6.4V 1000mAh Side-by-side

*Lynk models only

OPERATIONAL INFORMATION

GENERAL			
Voltage	230V~ 50Hz		
Ambient temp.	0 to 40°C		
Class	2		
IP rating	IP20 (IP65 weatherproof case available)		
Wiring	Re-wireable terminal block (5 pin)		
Mounting type	Surface/suspended (Rod Mount Kit available)		
Lamp power	1.5 W		
CONTROL			
Wired	DALI Monitored (DT1)		
Wireless	IEC62386-104 (Wireless DT1)		
EMERGENCY			
Emergency lamp power	1.5 W (White model) 1.0 W (Black model)		
Rated duration	90 min		
EMERGENCY CLASSIFICATION			
White model	C0:C12.5, C90:C20 (white model only)		
BATTERY		CHARGE	
Type	LiFePO ₄	Type	Smart charge
Voltage	6.4 V	Time	16 Hours
Codes	01300	Operation	Multi-state
CONSTRUCTION			
Viewing distance	24M	Decal size	300 x 150 mm
Body	PC	Diffuser	PC
COMPLIANCE			
Standards	AS/NZS 60598.1 AS 60598.2.22 AS/NZS 2293.3 AS/NZS 61347.1 AS/NZS 61347.2.13	IEC 60598-2-22 IEC 62386-102 IEC 62386-202 IEC 62034 AS CISPR 15	

NOTE: For more information on the chemical resistance of our polycarbonate or our compliance documentation, please see our website.

TOTAL POWER CONSUMPTION (TPC)

MAINTAINED MODE	
MAX.	AVG.
4.5 W	3 W

NOTE: Average power consumption calculated with the assumption of four emergency events per year and that the battery charger is in standby at all other times (above typical usage).

PRODUCT RANGE (WHITE)

ORDER CODE	PRODUCT NUMBER	SKU
EV-MERCURY-PRO-24M-DA Mercury Professional Emergency Exit	9336462031353	03135
EV-MERCURY-PRO-24M-LK Lynk Mercury Professional Emergency Exit - w/wireless	9336462042670	04267

PRODUCT RANGE (BLACK)

ORDER CODE	PRODUCT NUMBER	SKU
EV-MERCURY-PRO-24M-LK Mercury Professional Emergency Exit, Black	9336462031360	03136
EV-MERCURY-PRO-24M-B-LK Lynk Mercury Professional Emergency Exit, Black - w/wireless	9336462042687	04268

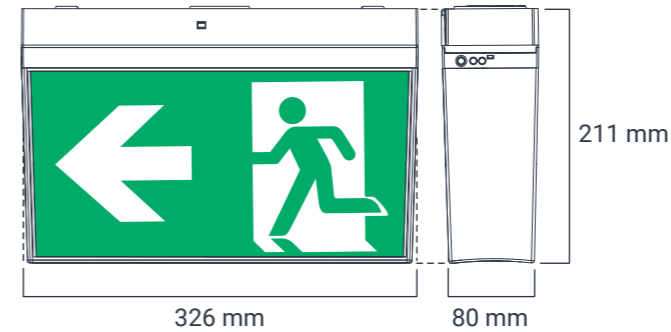
MERCURY

DYNAMIC

LYNK



DIMENSIONS



FEATURES

GENERAL FEATURES

- Dynamic green LED sequence arrow (left/right/straight) in EM operation
- Illuminated red "X" with 4 flashing red LED's
- Red "X" activated using 24Vdc input in normal and EM operation
- Single and double sided decals
- Soft-start charger to reduce building load
- Available in low illumination area black model
- IP65 weatherproof case available (not included)
- Fast emergency switch-over (<0.5s) for high-task areas
- Wireless meshing system

BUILT TO LAST

- Long life electronics
- 8 years design life
- High quality lithium battery (LiFePO₄) and smart charger

SUITABLE INSTALLATION TYPES (OUT OF THE BOX)

- Standalone (SPU)
- Self test (AS2293/IEC62034)
- Ektor wired monitored system
- IEC62386 over IEC62386-104
- Wireless monitoring

ACCESSORY RANGE

SKU	ORDER CODE	DESCRIPTION
01915	EV-CANTILEVER	Cantilever bracket
11290	EV-MERCURY-BASIC-DP	Mercury Basic decal pack
03922	EV-MERCURY-CASE	Weatherproof Case for Mercury
11216	EV-MERCURY-CD-2	Mercury Clear Decal
11220	EV-MERCURY-CD-1	Mercury custom decal
12934	EV-MERCURY-DP-USD	Mercury Basic Decal Pack - Upside down white & green 3 x decals (left- right & straight)
03911	EV-MERCURY-WIREGUARD-CEILING	Ceiling mounted only Wire guard
05301	EV-MERCURY-WIREGUARD-WALL	Wall mounted only Wire guard
01990	EV-RODMOUNT-WHT	Rodmount Brackets only for roof and luminaire body - White (Rod size 25mm)
02004	EV-RODMOUNT-BLK	Rodmount Brackets only for roof and luminaire body - Black (Rod size -25mm)
11449	EV-MERCURY-VANDAL-SM	Mercury vandal resistant case - surface mount
01303	EV-3000MAH-6.4V-LIFEP04	LiFePO ₄ Battery 6.4V 3000mAh

OPERATIONAL INFORMATION

GENERAL

Voltage	230V~ 50Hz
Ambient temp.	0 to 40°C
Class	2
IP rating	IP20 (IP65 weatherproof case available)
Wiring	Terminal block
Mounting type	Surface/suspended (Rod Mount Kit available)
Control	IEC62386-104 (Wireless DT1)
Lamp power	1.0 W maintained

EMERGENCY

Emergency lamp power	2.5 W (dynamic arrow) 2.6W (red "X")
Rated duration	90 min

EMERGENCY CLASSIFICATION

White model	C0:C12.5, C90:C20
-------------	-------------------

BATTERY		CHARGE	
Type	LiFePO ₄	Type	Smart charge
Voltage	6.4 V	Time	16 Hours
Codes	01303	Operation	Multi-state

CONSTRUCTION

Viewing distance	24M	Decal size	300 x 150 mm
Body	PC	Diffuser	PC

COMPLIANCE

Standards	AS/NZS 60598.1	IEC 60598-2-22
	AS 60598.2.22	IEC 62386-102
	AS/NZS 2293.3	IEC 62386-202
	AS/NZS 61347.1	IEC 62034
	AS/NZS 61347.2.13	AS CISPR 15

NOTE: For more information on the chemical resistance of our polycarbonate or our compliance documentation, please see our website.

TOTAL POWER CONSUMPTION (TPC)

MAINTAINED MODE	
MAX.	AVG.
4.5 W	3 W

NOTE: Average power consumption calculated with the assumption of four emergency events per year and that the battery charger is in standby at all other times (above typical usage).

PRODUCT RANGE

ORDER CODE	PRODUCT NUMBER	SKU
EV-MERCURY-24M-LK-DYN	9336462121634	12163
Mercury Dynamic Emergency Exit - w/wireless		

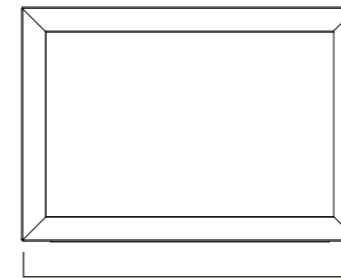


MERCURY VANDAL RESISTANT CASE

ACCESSORY



DIMENSIONS



384 mm



268 mm

FEATURES

GENERAL FEATURES

- Vandal resistant case IK11
- Works with standard sized Mercury Core, Advanced and Pro products (not supplied)
- Ideal for train stations and other areas which need protection from vandalism
- Assembly tool supplied

OPERATIONAL INFORMATION

GENERAL

IP rating IP20

IK rating IK11

Mounting type Surface Mount

CONSTRUCTION

Case Powdercoated steel

Lens PMMA

COMPLIANCE

Standards IEC 62262 (impact testing)



PRODUCT RANGE

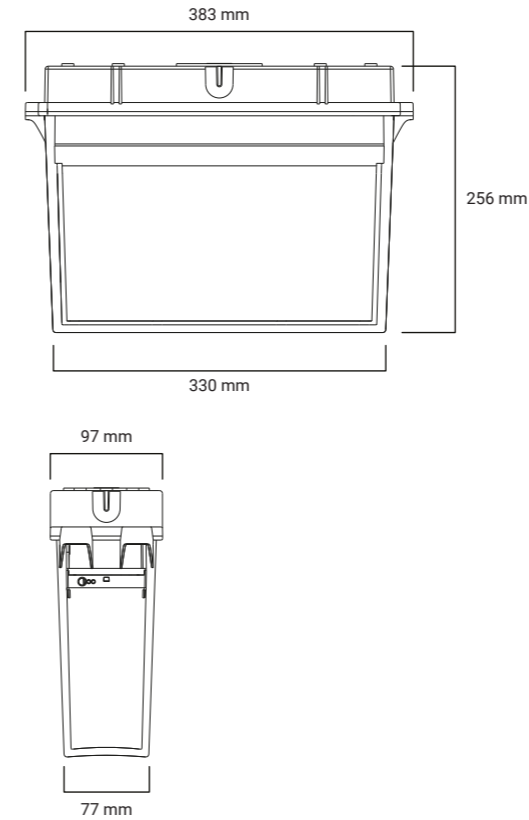
ORDER CODE	PRODUCT NUMBER	SKU
EV-MERCURY-VANDAL-SM	9336462114490	11449
Mercury vandal resistant case - surface mount		

MERCURY WEATHERPROOF CASE

ACCESSORY



DIMENSIONS



OPERATIONAL INFORMATION

GENERAL	
IP rating	IP65
IK rating	IK10
Mounting type	Surface Mount
CONSTRUCTION	
Case	Polycarbonate
Diffuser	Polycarbonate
COMPLIANCE	
Standards	IEC 62262 (impact testing) IEC 60598.1 (IP testing)

FEATURES

- GENERAL FEATURES**
- IP65 weatherproof rating
 - Vandal resistant case IK10
 - Works with standard sized Mercury Core, Advanced and Pro products (not supplied)



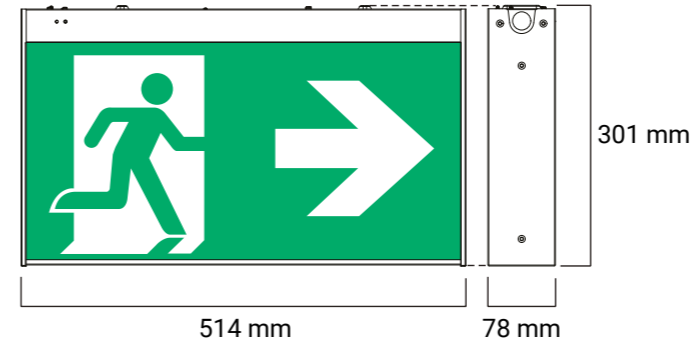
PRODUCT RANGE

ORDER CODE	PRODUCT NUMBER	SKU
EV-MERCURY-CASE	9336462039229	03922
Weatherproof Case for Mercury		

MERCURY JUMBO

CORE


Last updated: 24 November 2022 V 1.1

DIMENSIONS

FEATURES
GENERAL FEATURES

- Large terminal blocks
- Single and double sided decals
- 40m viewing distance
- Fully compliant (AS/NZS 2293)
- Non-maintained or maintained operation

BUILT TO LAST

- Long life electronics
- Low power consumption
- 6 years design life at max. ambient
- High quality lithium battery (LiFePO₄) and smart charger

SUITABLE INSTALLATION TYPES (OUT OF THE BOX)

- Standalone (SPU)

ACCESSORY RANGE

SKU	ORDER CODE	DESCRIPTION
01999	EV-MERCURY-40M-DP	Jumbo Decal Pack (1 x left, 1 x right, 1 x straight)
01990	EV-RODMOUNT-WHT	Rod mount, incl. Bracket for roof /body
01302	EV-1500MAH-6.4V-LIFEP04	LiFePO ₄ Battery 6.4V 1500mAh

OPERATIONAL INFORMATION

GENERAL			
Voltage	230V~ 50Hz		
Ambient temp.	0 to 40°C		
Class	1		
IP rating	IP20		
Wiring	Terminal block (1-16 mm □)		
Mounting type	Surface/suspended (Rod Mount Kit available)		
Lamp power	1.4 W		
EMERGENCY			
Lamp power	1.4 W		
Rated duration	90 min		
Classification	C0: D6.3 C90:E4, C180: E4		
BATTERY		CHARGE	
Type	LiFePO ₄	Type	Smart charge
Voltage	6.4 V	Time	16 Hours
Codes	01302	Operation	Multi-state
CONSTRUCTION			
Viewing distance	40M	Decal size	500 x 250 mm
Diffuser	PC		
Body	Powder coated aluminium and PC		
COMPLIANCE			
Standards	AS/NZS 60598.1 AS 60598.2.22 AS/NZS 61347.1 AS/NZS 61347.2.13	IEC 60598-2-22 IEC 60598-2-22 AS CISPR 15 AS/NZS 2293.3	

NOTE: For more information on the chemical resistance of our polycarbonate or our compliance documentation, please see our website.

TOTAL POWER CONSUMPTION (TPC)

MAINTAINED MODE	
MAX.	AVG.
4.5 W	2.5 W

NOTE: Average power consumption calculated with the assumption of four emergency events per year and that the battery charger is in standby at all other times (above typical usage).

PRODUCT RANGE

ORDER CODE	PRODUCT NUMBER	SKU
EV-MERCURY-40M-BASIC	9336462112700	11270
Jumbo Basic Emergency Exit		

MERCURY JUMBO

PROFESSIONAL

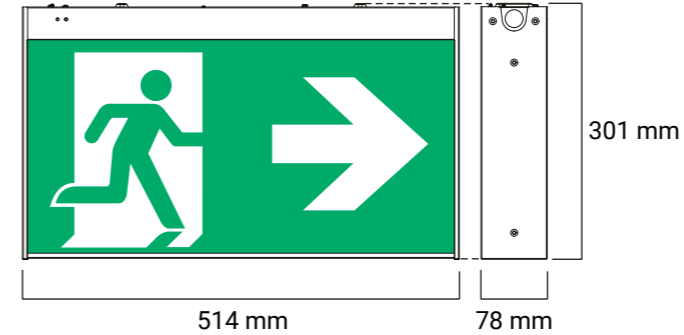
LYNK



CERTIFIED



DIMENSIONS



FEATURES

GENERAL FEATURES

- Large terminal blocks
- Single and double sided decals
- 40m viewing distance
- Fully compliant (AS/NZS 2293)
- Maintained operation
- Soft-start charger to reduce building load
- Fast emergency switch-over (<0.5s) for high-task areas
- Wireless meshing system*

BUILT TO LAST

- Long life electronics
- 12 years design life max. ambient
- High quality lithium battery (LiFePO₄) and smart charger

SUITABLE INSTALLATION TYPES (OUT OF THE BOX)

- Standalone (SPU)
- Self test (AS2293/IEC62034)
- DALI (IEC62386)
- Ektor wired monitored system
- IEC62386 over IEC62386-104*
- Wireless monitoring*

ACCESSORY RANGE

SKU	ORDER CODE	DESCRIPTION
01999	EV-MERCURY-40M-DP	Jumbo Decal Pack (1 x left, 1 x right, 1 x straight)
01990	EV-RODMOUNT-WHT	Rod mount, incl. Bracket for roof /body
01302	EV-1500MAH-6.4V-LIFEP04	LiFePO ₄ Battery 6.4V 1500mAh

OPERATIONAL INFORMATION

GENERAL			
Voltage	230V~ 50Hz		
Ambient temp.	0 to 40°C		
Class	1		
IP rating	IP20		
Wiring	Terminal block (1-16 mm □)		
Mounting type	Surface/suspended (Rod Mount Kit available)		
Lamp power	1.4 W		
CONTROL			
Wired	DALI Monitored (DT1)		
Wireless	IEC62386-104 (Wireless DT1)		
EMERGENCY			
Emergency lamp power	1.4 W		
Rated duration	90 min		
Classification	C0:D5, C90:E2.5		
BATTERY		CHARGE	
Type	LiFePO ₄	Type	Smart charge
Voltage	6.4 V	Time	16 Hours
Codes	01302	Operation	Multi-state
CONSTRUCTION			
Viewing distance	40M	Decal size	500 x 250 mm
Diffuser	PC	Lens	PC
Body	Powder coated aluminium and PC		
COMPLIANCE			
Standards	AS/NZS 60598.1 AS 60598.2.22 AS/NZS 61347.1 AS/NZS 61347.2.13 IEC 60598-2-22	IEC 62386-102 IEC 62386-202 IEC 62034 AS CISPR 15 AS/NZS 2293.3	

NOTE: For more information on the chemical resistance of our polycarbonate or our compliance documentation, please see our website.

TOTAL POWER CONSUMPTION (TPC)

MAINTAINED MODE	
MAX.	AVG.
4.3 W	3 W

NOTE: Average power consumption calculated with the assumption of four emergency events per year and that the battery charger is in standby at all other times (above typical usage).

LED LIFETIME

EV-MERCURY-40M-PRO	44Y/0M
--------------------	--------

PRODUCT RANGE

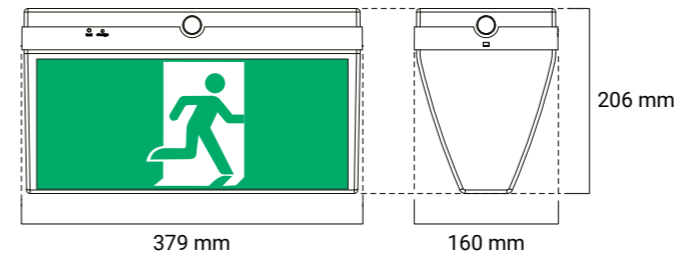
ORDER CODE	PRODUCT NUMBER	SKU
EV-MERCURY-40M-PRO Jumbo Basic Emergency Exit	9336462041505	04150
EV-MERCURY-40M-PRO-LK Lynk Mercury Jumbo Professional Emergency Exit - w/wireless	9336462042052	04205

BOXIT CEILING

CORE



DIMENSIONS



FEATURES

GENERAL FEATURES

- Single and double sided decals
- Fully compliant (AS/NZS 2293)
- Replaceable easy fit, quick release decals

BUILT TO LAST

- LED light source
- Long life electronics
- Low power consumption
- 6 years design life at max. ambient
- High quality lithium battery (LiFePO₄) and smart charger

SUITABLE INSTALLATION TYPES (OUT OF THE BOX)

- Standalone (SPU)

ACCESSORY RANGE

SKU	ORDER CODE	DESCRIPTION
12572	EV-BOXIT-DP	Boxit Decal pack for Wall and Ceiling (1 x left, 1 x right, 1 x straight)
05206	EV-BOXIT-CLEAR DECALS	Boxit Clear Decals
14746	EV-BOXIT-DIFF-CEIL-24M	Boxit Ceiling diffuser (decal pack included)
01990	EV-RODMOUNT-WHT	Rod mount, incl. Bracket for roof /body
01307	EV-1500MAH-3.2V-LIFEPO4-LOOM	LiFePO ₄ Battery 3.2V 1500mAh

OPERATIONAL INFORMATION

GENERAL

Voltage	230V~ 50Hz
Ambient temp.	0 to 40°C
Class	2
IP rating	IP20
Wiring	Terminal block (1-16 mm □)
Mounting type	Surface / suspended (Rod Mount Kit available)
Lamp power	0.95 W

EMERGENCY

Emergency lamp power	0.95 W
Rated duration	90 min
Classification	C0:E2, C90:E2, C180:C2

BATTERY

Type	CHARGE	Type	Smart charge
LiFePO ₄			
Voltage	3.2 V	Time	16 Hours
Codes	01307	Operation	Variable

CONSTRUCTION

Viewing distance	24M	Decal size	340 x 150 mm
Body	PC	Diffuser	PMMA
Gear tray	PC		

COMPLIANCE

Standards	AS/NZS 60598.1 AS 60598.2.22 AS/NZS 61347.1 AS/NZS 61347.2.13	AS/NZS 2293.3 IEC 60598-2-22 AS CISPR 15
-----------	--	--

NOTE: For more information on the chemical resistance of our polycarbonate or our compliance documentation, please see our website.

TOTAL POWER CONSUMPTION (TPC)

MAX.	AVG.
3.60 W	3.33 W

NOTE: Average power consumption calculated with the assumption of four emergency events per year and that the battery charger is in standby at all other times (above typical usage).

PRODUCT RANGE (WHITE)

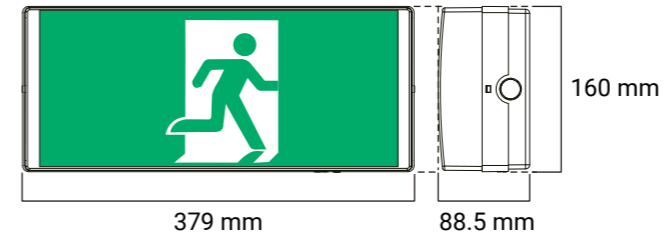
ORDER CODE	PRODUCT NUMBER	SKU
EV-BOXIT-CEILING-24M	9336462150023	15002
Basic Ceiling Mounted Emergency Exit		

BOXIT WALL

CORE



DIMENSIONS



FEATURES

GENERAL FEATURES

- Single-sided decal
- Fully compliant (AS/NZS 2293)
- Replaceable easy fit, quick release decals

BUILT TO LAST

- LED light source
- Long life electronics
- Low power consumption
- 6 years design life at max. ambient
- High quality lithium battery (LiFePO₄) and smart charger

SUITABLE INSTALLATION TYPES (OUT OF THE BOX)

- Standalone (SPU)

ACCESSORY RANGE

SKU	ORDER CODE	DESCRIPTION
12572	EV-BOXIT-DP	Boxit Decal pack for Wall and Ceiling (1 x left, 1 x right, 1 x straight)
05206	EV-BOXIT-CLEAR DECALS	Boxit Clear Decals
14908	EV-BOXIT-DIFF-WALL-24M	Boxit Wall diffuser (decal pack included)
01990	EV-RODMOUNT-WHT	Rod mount, incl. Bracket for roof /body
01307	EV-1500MAH-3.2V-LIFEP04-LOOM	LiFePO ₄ Battery 3.2V 1500mAh

OPERATIONAL INFORMATION

GENERAL	
Voltage	230V~ 50Hz
Ambient temp.	0 to 40°C
Class	2
IP rating	IP20
Wiring	Terminal block (1-16 mm □)
Mounting type	Surface/suspended (Rod Mount Kit available)
Lamp power	0.95 W

EMERGENCY	
Emergency lamp power	0.95 W
Rated duration	90 min
Classification	C0:E2, C90:E2, C180:C2

BATTERY		CHARGE	
Type	LiFePO ₄	Type	Smart charge
Voltage	3.2 V	Time	16 Hours
Codes	01307	Operation	Variable

CONSTRUCTION			
Viewing distance	24M	Decal size	340 x 150 mm
Body	PC	Diffuser	PMMA
Gear tray	PC		

COMPLIANCE			
Standards	AS/NZS 60598.1 AS 60598.2.22 AS/NZS 61347.1 AS/NZS 61347.2.13	AS/NZS 2293.3 IEC 60598-2-22 AS CISPR 15	

NOTE: For more information on the chemical resistance of our polycarbonate or our compliance documentation, please see our website.

TOTAL POWER CONSUMPTION (TPC)

MAX.	AVG.
3.60 W	3.33 W

NOTE: Average power consumption calculated with the assumption of four emergency events per year and that the battery charger is in standby at all other times (above typical usage).

PRODUCT RANGE (WHITE)

ORDER CODE	PRODUCT NUMBER	SKU
EV-BOXIT-WALL-24M	9336462150016	15001
Basic Wall Mounted Emergency Exit		

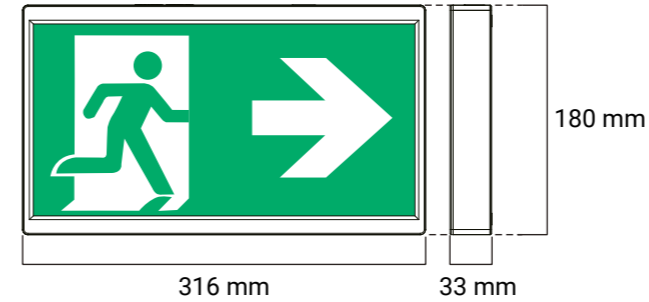
BOXIT SLIM

CORE



Last updated: 24 November 2022 V 1.1

DIMENSIONS



FEATURES

GENERAL FEATURES

- Single sided decal
- Fully compliant (AS/NZS 2293)
- Replaceable easy fit, quick release decals
- Integrated LED emergency light source
- Maintained and non-maintained operation

BUILT TO LAST

- LED light source
- Long life electronics
- Low power consumption
- 6 years design life at max. ambient
- High quality lithium battery (LiFePO₄) and smart charger

SUITABLE INSTALLATION TYPES (OUT OF THE BOX)

- Standalone (SPU)

ACCESSORY RANGE

SKU	ORDER CODE	DESCRIPTION
02987	EV-RAZOR-24M-DP	Razor 24M decal pack to suit SKU# 02686 & BOXIT-SLIM SKU #15053
13972	EV-1500MAH-3.2V-LIFEP04	LiFePO ₄ Battery 3.2V 1500mAh

OPERATIONAL INFORMATION

GENERAL	
Voltage	230 ~ 50Hz
Ambient temp.	0 to 40°C
Class	2
IP rating	IP20
Wiring	Terminal block
Mounting type	Surface mounted

EMERGENCY	
Emergency lamp power	1 W
Rated duration	90 min
Classification	C0:E1, C90:E1

BATTERY		CHARGE	
Type	LiFePO ₄	Type	Smart charge
Voltage	3.2 V	Time	16 Hours
Codes	13972	Operation	Variable

CONSTRUCTION			
Viewing distance	24M	Decal size	300 x 150 mm
Body	PC	Diffuser	PMMA
Gear tray	PC		

COMPLIANCE		
Standards	AS 60598.2.22 AS/NZS 2293.3 IEC 60598-2-22 CISPR 15	AS/NZS 60598.1 AS/NZS 61347.1 AS/NZS 61347.2.13

NOTE: For more information on the chemical resistance of our polycarbonate or our compliance documentation, please see our website.

TOTAL POWER CONSUMPTION (TPC)

MAINTAINED MODE	
MAX.	AVG.
2.5 W	2.3 W

NOTE: Average power consumption calculated with the assumption of four emergency events per year and that the battery charger is in standby at all other times (above typical usage).

LED LIFETIME

EV-BOXIT-SLIM-24M	55Y/0M
-------------------	--------

PRODUCT RANGE (WHITE)

ORDER CODE	PRODUCT NUMBER	SKU
EV-BOXIT-SLIM-24M	9336462150535	15053
Boxit Slim Emergency Exit, 24M		

LED FIRE

FEATURES



QUALITY COMPONENTS
All Ektor Ledfires are built with quality components and undergo extensive testing.

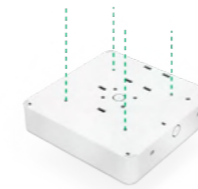


CHOOSE YOUR STYLE
Ektor Ledfires are available in black or white finishes to suit your decor



POWER SAVING
Save money without compromising on design through the low power consumption of the Ledfire.

MOUNTING OPTIONS



SURFACE
Surface mount models allow for easy mounting onto exposed concrete with rear or side cable entry.



RECESSED
Recessed mounting suits a wide range of hole sizes and comes with a removable outer ring for added installation flexibility.



ROD MOUNTING
These kits allow surface mount Ledfires to be suspended at a lower height.

PRODUCT LINES

CORE

Reliability and quality features on a budget

6 years design life at max. ambient

5 year warranty

Entry level classification

High quality lithium (LiFePO₄) battery

Low power consumption

Fully compliant

Black and white options

ADVANCED

Reliability and quality in a standard form factor

8 years design life at max. ambient

6 year warranty

Improved classification

High quality lithium (LiFePO₄) battery

Low power consumption

DALI certified and fully compliant*

Black and white options

Lynk wireless mesh option*

PROFESSIONAL

Class leading features, highest reliability and lowest power options

12 years design life at max. ambient

8 year warranty

Highest level classification

High quality lithium (LiFePO₄) battery

Lowest power consumption

DALI certified and fully compliant

Black and white options

Lynk wireless mesh option*

Smart battery charge

Self test

Our emergency luminaires are available in recessed, rod and surface mount options, with sizes ranging from regular to jumbo. Basic models come with an inbuilt driver. The Ledfire range (pictured) is a non-maintained, energy efficient emergency luminaire with reliable design and quality Lithium (LiFePO₄) iron phosphate batteries.

* Available on selected models

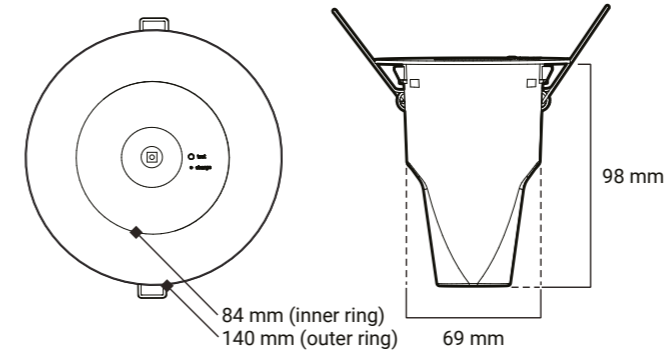
LED FIRE BASIC

ALL-IN-ONE

LYNK



DIMENSIONS



FEATURES

GENERAL FEATURES

- Compact design
- Non-maintained operation
- Fully compliant (AS/NZS 2293)
- Low energy consumption (avg. 0.45W)
- Includes outer ring to suit hole sizes up to 130 mm
- Wireless meshing system*

BUILT TO LAST

- Long life electronics
- 6 years design life at max. ambient
- High quality lithium battery (LiFePO₄) and smart charger

SUITABLE INSTALLATION TYPES (OUT OF THE BOX)

- Standalone (SPU)
- IEC62386 over IEC62386-104*
- Wireless monitoring*

ACCESSORY RANGE

SKU	ORDER CODE	DESCRIPTION
01307	EV-1500MAH-3.2V-LIFEP04-LOOM	LiFePO ₄ Battery 3.2V 1500mAh

OPERATIONAL INFORMATION

GENERAL	
Voltage	230V~ 50Hz
Ambient temp.	0 to 40°C
Class	2
IP rating	IP44 (front face only)
Wiring	Flex & Plug 1.2m
Mounting type	Recessed
Control*	IEC62386-104 (Wireless DT1)

EMERGENCY	
Lamp power	1.25 W
Rated duration	90 min
Rated lumens	189 lm
Classification	C0:D40

BATTERY		CHARGE	
Type	LiFePO ₄	Type	Smart charge
Voltage	3.2 V	Time	16 Hours
Codes	01307		

CONSTRUCTION	
Body	PC
Cut out	Ø 70 mm - inner ring Ø 75 - 130 mm - outer ring

COMPLIANCE			
Standards	AS/NZS 60598.1	AS/NZS 61347.2.13	
	AS 60598.2.22	IEC 60598-2-22	
	AS/NZS 60598.2.2 (IC-4 rated)	AS CISPR 15	
	AS/NZS 61347.1	AS/NZS 2293.3	

NOTE: For more information on the chemical resistance of our polycarbonate or our compliance documentation, please see our website.

TOTAL POWER CONSUMPTION (TPC)

MAX.	AVG.
1.5 W	0.45 W

NOTE: Average power consumption calculated with the assumption of four emergency events per year and that the battery charger is in standby at all other times (above typical usage).

PRODUCT RANGE (WHITE)

ORDER CODE	PRODUCT NUMBER	SKU
EV-LED FIRE-BASIC		
Ledfire Basic Emergency Luminaire - D40 - w/ F&P	9336462111901	11190
EV-LED FIRE-BASIC-LK		
Lynk Ledfire Basic Emergency Luminaire	9336462115145	11514

PRODUCT RANGE (BLACK)

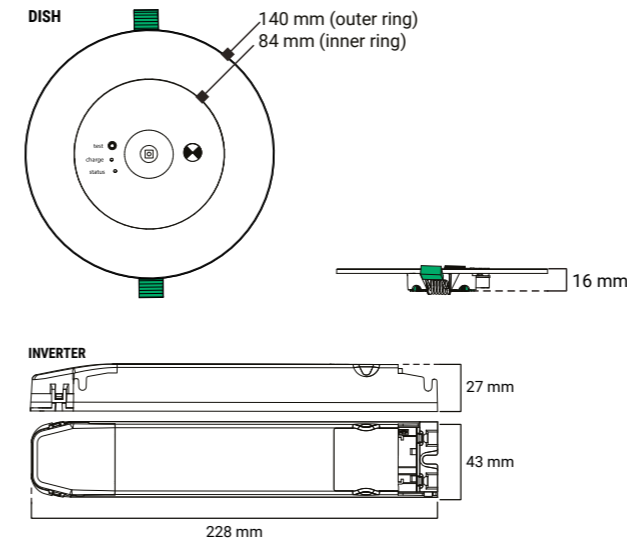
ORDER CODE	PRODUCT NUMBER	SKU
EV-LED FIRE-BASIC-B		
Ledfire Basic Emergency Luminaire - Black - D40 - w/ F&P	9336462109779	10977
EV-LED FIRE-BASIC-B-LK		
Ektor Lynk Ledfire Basic Emergency Luminaire - Black	9336462115145	11514

LED FIRE

CORE



DIMENSIONS



FEATURES

GENERAL FEATURES

- Non-maintained operation
- Fully compliant (AS/NZS 2293)
- Low energy consumption (avg. 0.45W)
- Includes outer ring to suit hole sizes up to 130 mm

BUILT TO LAST

- Long life electronics
- 6 years design life at max. ambient
- High quality lithium battery (LiFePO₄) and smart charger

SUITABLE INSTALLATION TYPES (OUT OF THE BOX)

- Standalone (SPU)

ACCESSORY RANGE

SKU	ORDER CODE	DESCRIPTION
12800	EV-DOME-SM-HEAD	Dome vandal resistant fitting Head Only - IP65/IK10 with ceiling bracket
01300	EV-1000MAH-6.4V-LIFEPO4	LiFePO ₄ Battery 6.4V 1000mAh Side-by-side

OPERATIONAL INFORMATION

GENERAL			
Voltage	230V~ 50Hz		
Ambient temp.	0 to 40°C		
Class	2		
IP rating	IP44 (front face only)		
Wiring	Flex & Plug 1.2m		
Mounting type	Recessed		
EMERGENCY			
Rated duration	90 min		
Rated lumens	250 lm		
Lamp power	1.5		
Classification	C0:D50		
BATTERY		CHARGE	
Type	LiFePO ₄	Type	Smart charge
Voltage	6.4 V	Time	16 Hours
Codes	01300		
CONSTRUCTION			
Inverter	PC		
Dish	PC		
Cut out	Ø 70 mm - inner ring	Ø 75 - 130 mm - outer ring	
COMPLIANCE			
Standards	AS/NZS 60598.1 AS 60598.2.22 AS/NZS 61347.1 AS/NZS 61347.2.13	IEC 60598-2-22 AS CISPR 15 AS/NZS 2293.3 AS/NZS 60598.2.2 (IC-4)	

NOTE: For more information on the chemical resistance of our polycarbonate or our compliance documentation, please see our website.

TOTAL POWER CONSUMPTION (TPC)

MAX.	AVG.
1.6 W	0.45 W

NOTE: Average power consumption calculated with the assumption of four emergency events per year and that the battery charger is in standby at all other times (above typical usage).

PRODUCT RANGE (WHITE)

ORDER CODE	PRODUCT NUMBER	SKU
EV-LED FIRE-CORE	9336462016961	01696
Ledfire Core Emergency Luminaire - w/F&P		

PRODUCT RANGE (BLACK)

ORDER CODE	PRODUCT NUMBER	SKU
EV-LED FIRE-CORE-B	9336462114056	11405
Ledfire Core Emergency Luminaire - Black - w/F&P		

LED FIRE

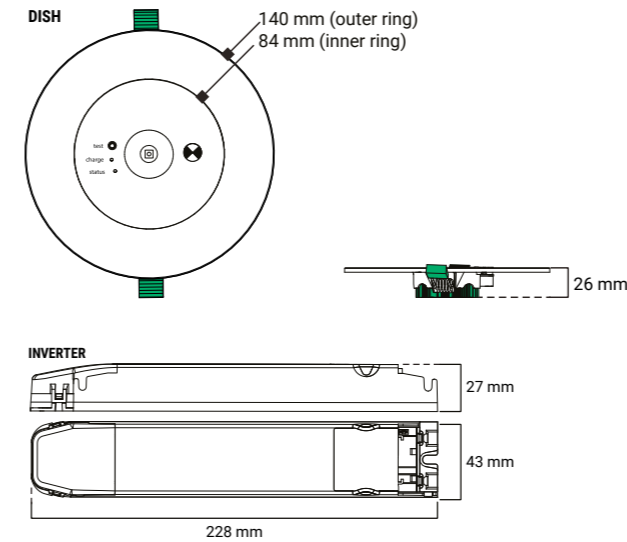
ADVANCED
LYNK

CERTIFIED


Last updated: 24 November 2022 V 1.1

PRODUCT RANGE (WHITE)		
ORDER CODE	PRODUCT NUMBER	SKU
EV-LED FIRE-ADV-DA Ledfire Emergency Luminaire DALI - w/ Flex & Plug	9336462016930	01693
EV-LED FIRE-ADV-DA-WBC Ledfire Emergency Luminaire DALI - w/ Wire By Click	9336462114827	11482
EV-LED FIRE-ADV-DA-CMS Ledfire Emergency Luminaire DALI - w/ CMS	9336462114810	11481
EV-LED FIRE-ADV-DA-JB Ledfire Emergency Luminaire DALI - w/ Terminal Block	9336462115121	11512
EV-LED FIRE-ADV-LK Ektor Lynk Ledfire Advanced Emergency Luminaire - w/wireless	9336462109960	10393

PRODUCT RANGE (BLACK)		
ORDER CODE	PRODUCT NUMBER	SKU
EV-LED FIRE-ADV-B-DA Ledfire Emergency Luminaire DALI - w/ Flex & Plug - Black	9336462109731	10973
EV-LED FIRE-ADV-DA-WBC Ledfire Emergency Luminaire DALI - w/ Wire By Click	9336462114827	11482
EV-LED FIRE-ADV-B-DA-CMS Ledfire Emergency Luminaire DALI - w/ CMS	9336462109939	10993
EV-LED FIRE-ADV-B-DA-JB Ledfire Emergency Luminaire DALI - w/ Terminal Block - Black	9336462115381	11538
EV-LED FIRE-ADV-B-LK Ektor Lynk Ledfire Advanced Emergency Luminaire - w/wireless - Black	9336462109960	10996

DIMENSIONS

FEATURES
GENERAL FEATURES

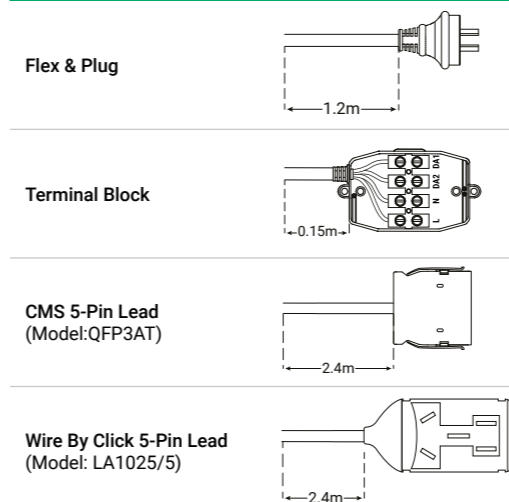
- Non-maintained operation
- Soft-start charger to reduce building load
- Lowest energy consumption (avg. <0.25W)
- Selectable discharge rating for hazardous areas
- Fast emergency switch-over (<0.5s) for high-task areas
- Wireless meshing system*

BUILT TO LAST

- Long life electronics
- 8 years design life at max. ambient
- High quality lithium battery (LiFePO₄)

SUITABLE INSTALLATION TYPES (OUT OF THE BOX)

- Standalone (SPU)
- Self test (AS2293/ IEC62034)
- DALI (IEC62386)
- Ektor wired monitored system
- IEC62386 over IEC62386-104*
- Wireless monitoring*

PLUG TYPES


* Lynk models only

OPERATIONAL INFORMATION

GENERAL			
Voltage	230V~ 50Hz		
Ambient temp.	0 to 40°C		
Class	2		
IP rating	IP44 (front face only)		
Wiring	See plug types		
Mounting type	Recessed		
CONTROL			
Wired	DALI Monitored (DT1)		
Wireless	IEC 62386-104 (Wireless DT1)		
EMERGENCY			
Rated duration	90 min		
Rated lumens	330 lm		
Lamp power	2.1W		
Classification	C0:D63		
BATTERY		CHARGE	
Type	LiFePO ₄	Type	Smart charge
Voltage	6.4 V	Time	16 Hours
Codes	01302	Operation	Adjustable
CONSTRUCTION			
Inverter	PC		
Dish	PC		
Cut out	Ø 70 mm - inner ring	Ø 75 - 130 mm - outer ring	
COMPLIANCE			
Standards	AS/NZS 60598.1 AS 60598.2.22 IEC 60598-2-22 AS/NZS 61347.1 AS/NZS 61347.2.13	IEC 62386-102 IEC 62386-202 IEC 62034 AS CISPR 15 AS/NZS 2293.3 AS/NZS 60598.2.2 (IC-4)	

NOTE: For more information on the chemical resistance of our polycarbonate or our compliance documentation, please see our website.

TOTAL POWER CONSUMPTION (TPC)

MAX.	AVG.
2.5 W	< 0.25 W

NOTE: Average power consumption calculated with the assumption of four emergency events per year and that the battery charger is in standby at all other times (above typical usage).

ACCESSORY RANGE

SKU	ORDER CODE	DESCRIPTION
12800	EV-DOME-SM-HEAD	Dome vandal resistant fitting Head Only - IP65/IK10 with ceiling bracket
01302	EV-1500MAH-6.4V-LIFEP04	LiFePO ₄ Battery 6.4V 1500mAh

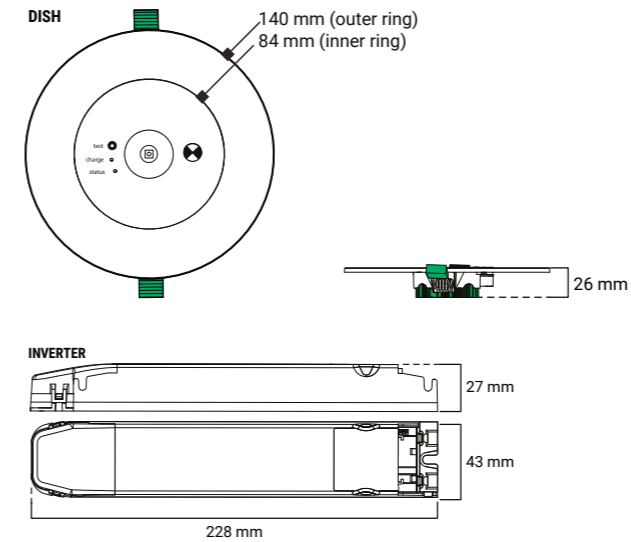
LED FIRE

PROFESSIONAL

LYNK

CERTIFIED


DIMENSIONS



FEATURES

GENERAL FEATURES

- Non-maintained operation
- Soft-start charger to reduce building load
- Lowest energy consumption (avg. <0.25W)
- Selectable discharge rating for hazardous areas
- Fast emergency switch-over (<0.5s) for high-task areas
- Wireless meshing system*

BUILT TO LAST

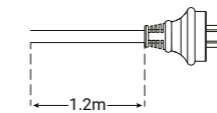
- Long life electronics
- 12 years design life at max. ambient
- High quality lithium battery (LiFePO₄)

SUITABLE INSTALLATION TYPES (OUT OF THE BOX)

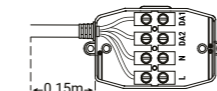
- Standalone (SPU)
- Self test (AS2293/IEC62034)
- DALI (IEC62386)
- Ektor wired monitored system
- IEC62386 over IEC62386-104*
- Wireless monitoring*

PLUG TYPES

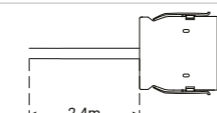
Flex & Plug



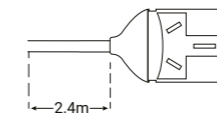
Terminal Block



CMS 5-Pin Lead (Model:QFP3AT)



Wire By Click 5-Pin Lead (Model: LA1025/5)



* LYNK models only

OPERATIONAL INFORMATION

GENERAL			
Voltage	230V~ 50Hz		
Ambient temp.	0 to 40°C		
Class	2		
IP rating	IP44 (front face only)		
Wiring	See plug types		
Mounting type	Recessed		
CONTROL			
Wired	DALI Monitored (DT1)		
Wireless	IEC 62386-104 (Wireless DT1)		
EMERGENCY			
Rated duration	90 min		
Rated lumens	320 lm		
Lamp power	2.9W		
Classification	C0:D80		
BATTERY		CHARGE	
Type	LiFePO ₄	Type	Smart charge
Voltage	6.4 V	Time	16 Hours
Codes	01303	Operation	Adjustable
CONSTRUCTION			
Inverter	PC		
Dish	PC		
Cut out	Ø 70 mm - inner ring Ø 75 - 130 mm - outer ring		
COMPLIANCE			
Standards	AS/NZS 60598.1 AS 60598.2.22 IEC 60598-2-22 AS/NZS 61347.1 AS/NZS 61347.2.13	IEC 62386-102 IEC 62386-202 IEC 62034 AS CISPR 15 AS/NZS 2293.3	

NOTE: For more information on the chemical resistance of our polycarbonate or our compliance documentation, please see our website.

TOTAL POWER CONSUMPTION (TPC)

MAX.	AVG.
2.5 W	< 0.25 W

NOTE: Average power consumption calculated with the assumption of four emergency events per year and that the battery charger is in standby at all other times (above typical usage).

ACCESSORY RANGE

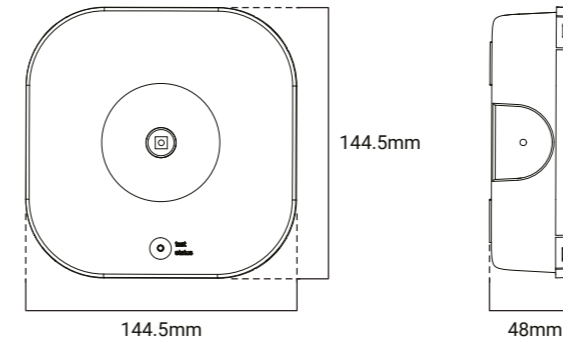
SKU	ORDER CODE	DESCRIPTION
12800	EV-DOME-SM-HEAD	Dome vandal resistant fitting Head Only - IP65/IK10 with ceiling bracket
01303	EV-3000MAH-6.4V-LIFEP04	LiFePO ₄ Battery 6.4V 3000mAh
11967	EV-DAUGHTERBOARD-LK	Ektor LYNK wireless daughterboard

LED FIRE SURFACE MOUNT IP65

CORE



DIMENSIONS



FEATURES

GENERAL FEATURES

- Non-maintained operation
- Fully compliant (AS/NZS 2293)
- Low energy consumption (avg. 0.45W)
- IP65 Weatherproof Rated
- Compact design

BUILT TO LAST

- Long life electronics
- 6 years design life at max. ambient
- High quality lithium battery (LiFePO₄) and smart charger

SUITABLE INSTALLATION TYPES (OUT OF THE BOX)

- Standalone (SPU)

ACCESSORY RANGE

SKU	ORDER CODE	DESCRIPTION
01990	EV-RODMOUNT-WHT	White Rod Mount Kit
02004	EV-RODMOUNT-BLK	Black Rod Mount Kit
13845	EV-2100MAH-3.2V-LIFEPO4	LiFePO ₄ Battery 3.2V 2100mAh

OPERATIONAL INFORMATION

GENERAL			
Voltage	230V~ 50Hz		
Ambient temp.	0 to 40°C		
Class	2		
IP rating	IP65		
Wiring	Terminal block (1-16 mm □)		
Mounting type	Surface/suspended (Rod Mount Kit available)		
EMERGENCY			
Rated duration	90 min		
Rated lumens	250 lm (2 hr)		
Lamp power	1.65W		
Classification	C0:D50		
BATTERY		CHARGE	
Type	LiFePO ₄	Type	Smart charge
Voltage	3.2 V	Time	16 Hours
Code	13845	Operation	Adjustable
CONSTRUCTION			
Body	PC		
COMPLIANCE			
Standards	AS/NZS 60598.1 AS 60598.2.22 AS/NZS 61347.1 AS/NZS 61347.2.13	IEC 60598-2-22 AS CISPR 15 AS/NZS 2293.3	

NOTE: For more information on the chemical resistance of our polycarbonate or our compliance documentation, please see our website.

TOTAL POWER CONSUMPTION (TPC)

MAX.	AVG.
2 W	< 0.45 W

NOTE: Average power consumption calculated with the assumption of four emergency events per year and that the battery charger is in standby at all other times (above typical usage).

PRODUCT RANGE (WHITE)

ORDER CODE	PRODUCT NUMBER	SKU
EV-LED FIRE-SM-CORE-IP65	9336462115466	11546
Core Surface mounted Ledfire Emergency Luminaire - IP65		

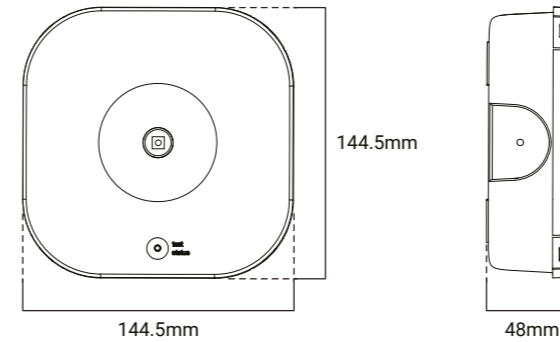
PRODUCT RANGE (BLACK)

ORDER CODE	PRODUCT NUMBER	SKU
EV-LED FIRE-SM-CORE-IP65-B	9336462115473	11547
Core Surface mounted Ledfire Emergency Luminaire - IP65 - Black		

LED FIRE SURFACE MOUNT IP65

ADVANCED
LYNK


DIMENSIONS



FEATURES

GENERAL FEATURES

- Non-maintained operation
- Fully compliant (AS/NZS 2293)
- Low energy consumption (avg. 0.45W)
- IP65 Weatherproof Rated
- Compact design
- Wireless meshing system*

BUILT TO LAST

- Long life electronics
- 8 years design life at max. ambient
- High quality lithium battery (LiFePO₄) and smart charger

SUITABLE INSTALLATION TYPES (OUT OF THE BOX)

- Standalone (SPU)
- IEC62386 over IEC62386-104*
- Wireless monitoring*

ACCESSORY RANGE

SKU	ORDER CODE	DESCRIPTION
01990	EV-RODMOUNT-WHT	White Rod Mount Kit
02004	EV-RODMOUNT-BLK	Black Rod Mount Kit
18096	EV-3400MAH-3.2V-LIFEP04	LiFePO ₄ Battery 3.2V 3400mAh

OPERATIONAL INFORMATION

GENERAL	
Voltage	230V~ 50Hz
Ambient temp.	0 to 40°C
Class	2
IP rating	IP65
Wiring	Terminal block (1-16 mm □)
Mounting type	Surface/suspended (Rod Mount Kit available)

CONTROL	
Wired	DALI Monitored (DT1)
Wireless	IEC 62386-104 (Wireless DT1)

EMERGENCY	
Rated duration	90 min
Rated lumens	320 lm
Lamp power	2.2W
Classification	C0:D63

BATTERY		CHARGE	
Type	LiFePO ₄	Type	Smart charge
Voltage	3.2 V	Time	16 Hours
Code	18096	Operation	Adjustable

CONSTRUCTION	
Body	PC

COMPLIANCE	
Standards	AS/NZS 60598.1 AS 60598.2.22 AS/NZS 61347.1 AS/NZS 61347.2.13
	IEC 60598-2-22 AS CISPR 15 AS/NZS 2293.3

NOTE: For more information on the chemical resistance of our polycarbonate or our compliance documentation, please see our website.

TOTAL POWER CONSUMPTION (TPC)

MAX.	AVG.
2 W	< 0.45 W

NOTE: Average power consumption calculated with the assumption of four emergency events per year and that the battery charger is in standby at all other times (above typical usage).

PRODUCT RANGE (WHITE)

ORDER CODE	PRODUCT NUMBER	SKU
EV-LED FIRE-SM-ADV-IP65-DA	9336462115480	11548
Advanced Surface mounted Ledfire Emergency Luminaire - IP65 - w/wireless		
EV-LED FIRE-SM-ADV-IP65-LK	9336462115503	11550
Lynk Advanced Surface mounted Ledfire Emergency Luminaire - IP65 - w/wireless		

PRODUCT RANGE (BLACK)

ORDER CODE	PRODUCT NUMBER	SKU
EV-LED FIRE-SM-ADV-IP65-B-DA	9336462115497	11549
Advanced Surface mounted Ledfire Emergency Luminaire - IP65 - Black		
EV-LED FIRE-SM-ADV-IP65-B-LK	9336462115510	11551
Lynk Advanced Surface mounted Ledfire Emergency Luminaire - IP65 - Black - w/wireless		

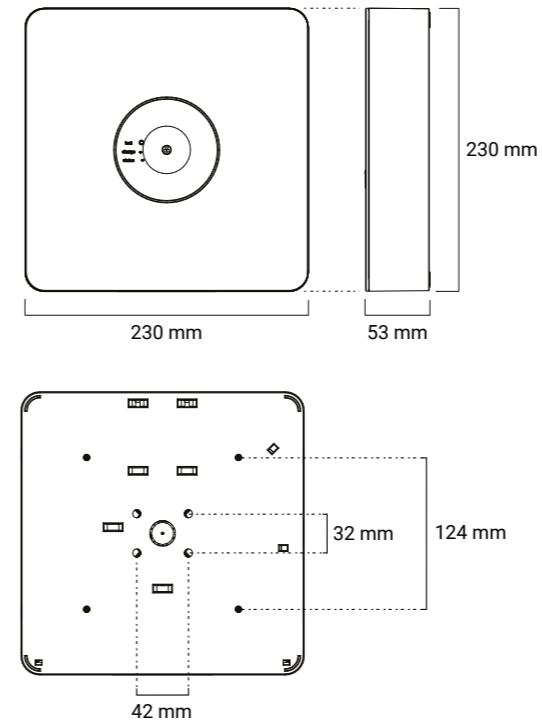
* Lynk models only

LED FIRE SURFACE MOUNT

PROFESSIONAL
LYNK

CERTIFIED


DIMENSIONS



FEATURES

GENERAL FEATURES

- Non-maintained operation
- Soft-start charger to reduce building load
- Lowest energy consumption (avg. <0.25W)
- Selectable discharge rating for hazardous areas
- Fast emergency switch-over (<0.5s) for high-task areas
- Wireless meshing system*

BUILT TO LAST

- Long life electronics
- 12 years design life at max. ambient
- High quality lithium battery (LiFePO₄)

SUITABLE INSTALLATION TYPES (OUT OF THE BOX)

- Standalone (SPU)
- Self test (AS2293/IEC62034)
- DALI (IEC62386)
- Ektor wired monitored system
- IEC62386 over IEC62386-1042*
- Wireless monitoring*

ACCESSORY RANGE

SKU	ORDER CODE	DESCRIPTION
01990	EV-RODMOUNT-WHT	White Rod Mount Kit
02004	EV-RODMOUNT-BLK	Black Rod Mount Kit
01303	EV-3000MAH-6.4V-LIFEP04	LiFePO ₄ Battery 6.4V 3000mAh
11967	EV-DAUGHTERBOARD-LK	Lynk wireless daughterboard
03923	EV-LED FIRE-SM-CASE	Ledfire Surface Mount Weatherproof Case IP66

* Lynk models only

OPERATIONAL INFORMATION

GENERAL			
Voltage	230V~ 50Hz		
Ambient temp.	0 to 40°C		
Class	2		
IP rating	IP20		
Wiring	Terminal block (1-16 mm □)		
Mounting type	Surface/suspended (Rod Mount Kit available)		
CONTROL			
Wired	DALI Monitored (DT1)		
Wireless	IEC 62386-104 (Wireless DT1)		
EMERGENCY			
Rated duration	90 min		
Rated lumens	430 lm		
Lamp power	3W		
Classification	C0:D80		
BATTERY		CHARGE	
Type	LiFePO ₄	Type	Smart charge
Voltage	6.4 V	Time	16 Hours
Code	01303	Operation	Adjustable
CONSTRUCTION			
Body	PC		
Fixing centres	124 mm		
COMPLIANCE			
Standards	AS/NZS 60598.1 AS 60598.2.22 AS/NZS 61347.1 AS/NZS 61347.2.13 IEC 60598-2-22	IEC 62386-102 IEC 62386-202 IEC 62034 AS CISPR 15 AS/NZS 2293.3	

NOTE: For more information on the chemical resistance of our polycarbonate or our compliance documentation, please see our website.

TOTAL POWER CONSUMPTION (TPC)

MAX.	AVG.
2.5 W	< 0.25 W

NOTE: Average power consumption calculated with the assumption of four emergency events per year and that the battery charger is in standby at all other times (above typical usage).

PRODUCT RANGE (WHITE)

ORDER CODE	PRODUCT NUMBER	SKU
EV-LED FIRE-SM-PRO Ledfire Surface Mounted Emergency Luminaire - D80	9336462016824	01689
EV-LED FIRE-SM-PRO-LK Lynk Ledfire Surface Mounted Emergency Luminaire - D80 - PRO w/wireless	9336462115503	11550

PRODUCT RANGE (BLACK)

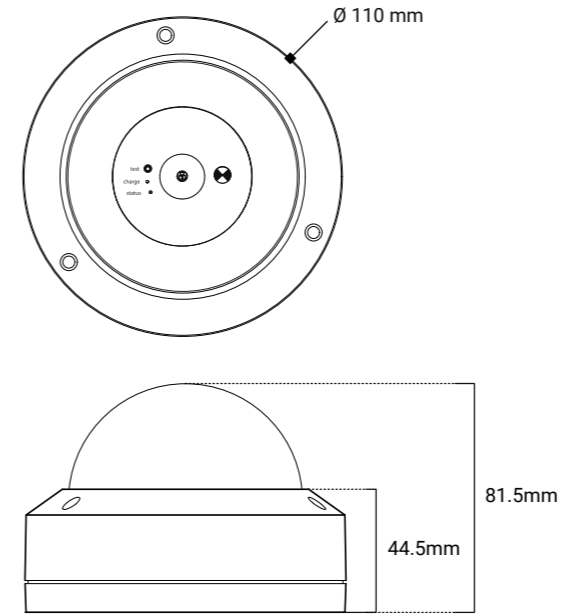
ORDER CODE	PRODUCT NUMBER	SKU
EV-LED FIRE-SM-PRO-B Ledfire Surface Mounted Emergency Luminaire - Black - D80	9336462016909	01690
EV-LED FIRE-SM-PRO-B-LK Lynk Ledfire Surface Mount Emergency Luminaire - D80 - Black - PRO w/wireless	9336462115510	11551

LEDFIRE DOME

ACCESSORY



DIMENSIONS



FEATURES

GENERAL FEATURES

- Vandal resistant and weatherproof Dome IK10/IP65
- Works with Ledfire Core, Advanced and Pro products
- Add on head with LED dish built in
- Ideal for train stations and other areas that need protection from vandalism
- Add on for existing Ledfire. Does not include battery or drive gear

OPERATIONAL INFORMATION

GENERAL

Ambient temp. 0 to 40°C

Class 3

IP rating IP65

IK rating IK10

Mounting type Surface Mount

EMERGENCY

Rated duration 90 min

Rated lumens 460 lm (max)

Lamp power 4.3W (max)

Classification Up to C0:D63 with Ledfire Pro (see website for details)

CONSTRUCTION

Head PC

Diffuser PC

Cut out Ø 92 mm

PRODUCT RANGE

ORDER CODE	PRODUCT NUMBER	SKU
EV-DOME-SM-HEAD		
Dome Surface Mount Emergency Luminaire for EV-LEDFIRE PRO – Head Only	9336462128008	12800

PEARL

FEATURES



EMERGENCY & NON-EMERGENCY

Keep your lighting streamlined with matching emergency and non-emergency models.



CORRIDOR MODE

Optimised for use in walkways, corridor mode is available in the Pearl's Advanced and Professional models.



LITHIUM BATTERIES

All Ektor pearls use quality Lithium LiFePO₄ batteries. These are environmentally friendly and allow for maximum charging efficiency.

OVERVIEW



MICROWAVE MOTION SENSORS

Both emergency and non-emergency models come with a sensor option to optimise usage and reduce power consumption.



COLOUR CHANGE OPTIONS

The Advanced and Core models are available with tri-colour selection, and the Professional with tuneable white, allowing for real-time adjustment.



WEATHERPROOF RATINGS

For those tougher and more demanding environments, the Advanced and Professional models in the Pearl range are IP54+ rated - providing protection against dust and weather.

PRODUCT LINES

CORE

Reliability and quality features on a budget

- 6 years design life at max. ambient
- High quality lithium (LiFePO₄) battery
- Low power consumption
- Fully compliant
- Tri-colour selection

ADVANCED

Reliability and quality in a standard form factor

- 8 years design life at max. ambient
- High quality lithium (LiFePO₄) battery*
- Low power consumption
- Fully compliant
- Tri-colour selection
- Corridor mode*
- IP54, weatherproof rating

PROFESSIONAL

Class leading features, highest reliability and lowest power options

- 12 years design life at max. ambient
- High quality lithium (LiFePO₄) battery*
- Lowest power consumption
- Fully compliant
- DALI tuneable white (DT8)
- Corridor mode*
- IP65, weatherproof rating
- Lynk** wireless mesh option
- Smart battery charge*
- Self test (AS/NZS 2293/IEC62034)*
- DALI dimmable (DT6)
- DALI emergency monitoring (DT1)*
- DALI-2 switch (301,302)
- DALI-2 microwave sensor (303)*

The Pearl circular luminaires (pictured) are DALI dimming with optimised corridor mode. A clean and simple finish with an IP65 rating, this range has outstanding luminance while reducing glare, external light reflection and unevenness.

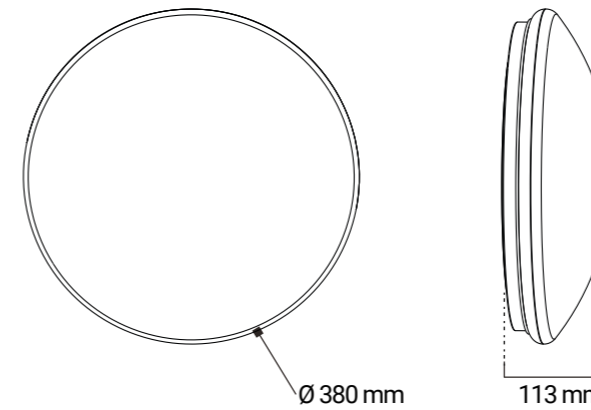
* Available on selected models

PEARL IP20

CORE



DIMENSIONS



FEATURES

GENERAL FEATURES

- Tri-colour selection
- Insect resistant twist and lock seal

BUILT TO LAST

- Long life electronics
- 6 years design life at max. ambient
- High quality lithium battery (LiFePO₄) and smart charger

SUITABLE INSTALLATION TYPES (OUT OF THE BOX)

- Standalone (SPU)

ACCESSORY RANGE

SKU	ORDER CODE	DESCRIPTION
01302	EV-1500MAH-6.4V-LIFEPO4	LiFePO ₄ Battery 6.4V 1500mAh

OPERATIONAL INFORMATION

GENERAL	
Voltage	230V~ 50Hz
Ambient temp.	0 to 40°C
Class	1
IP rating	IP20
Wiring	Terminal block (1-16 mm \varnothing)
Mounting type	Surface
CRI	>80

EMERGENCY

Rated duration	90 min
Classification	C0:D25

LIGHT COLOUR	COLOUR TEMP	LUMENS
Warm White	3000K	1850lm
Cool White	4000K	2100lm
Daylight	5000K	1900lm

BATTERY		CHARGE	
Type	LiFePO ₄	Type	Smart charge
Voltage	6.4 V	Time	16 Hours

Codes	01302
-------	-------

CONSTRUCTION	
Body	Steel
Diffuser	PC

COMPLIANCE		
Standards	AS/NZS 60598.1 AS 60598.2.22 AS/NZS 61347.1 AS/NZS 61347.2.13	IEC 60598-2-22 AS CISPR 15 AS/NZS 2293.3

NOTE: For more information on the chemical resistance of our polycarbonate or our compliance documentation, please see our website.

TOTAL POWER CONSUMPTION (TPC)

LAMP ON	
MAX.	AVG.
31 W	28 W

NOTE: Average power consumption calculated with the assumption of four emergency events per year and that the battery charger is in standby at all other times (above typical usage).

PRODUCT RANGE

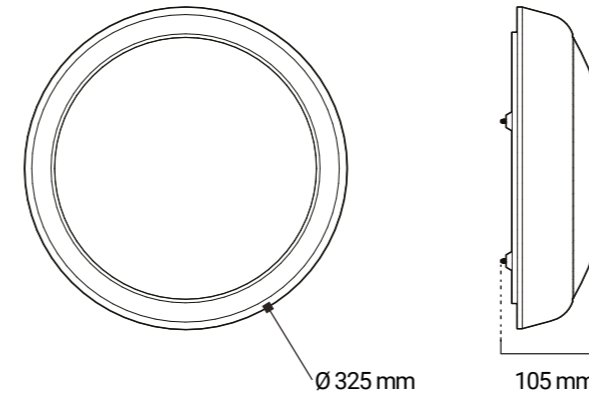
ORDER CODE	PRODUCT NUMBER	SKU
EV-PEARL-EM-IP20		
Pearl Circular IP20 Emergency, Tri-Colour	933642110508	11050
LEGACY CODE: EV-3013-EM-LITE		

PEARL IP54

ADVANCED



DIMENSIONS



FEATURES

GENERAL FEATURES

- Tri-colour selection
- IP54 weatherproof rating
- Emergency and non-emergency models

EMERGENCY MODELS (-EM)

- Fully compliant (AS/NZS 2293.3)
- High quality lithium battery (LiFePO₄) and smart charger

SENSOR MODELS (-S)

- Inbuilt microwave sensor
- Corridor mode

BUILT TO LAST

- Long life electronics
- 8 years design life at max. ambient

SUITABLE INSTALLATION TYPES (OUT OF THE BOX)

- Standalone (SPU)

OPERATIONAL INFORMATION

GENERAL

Voltage	230V~ 50Hz
Ambient temp.	0 to 40°C
Class	2
IP rating	IP54
Wiring	Terminal block (1-16 mm □)
Mounting type	Surface
CRI	>80

SENSOR

Max. sensor output	400 W max.
Detection range	Ø8 m (at 3 m height)

EMERGENCY

Em. lamp power	3.3 W
Em. lumens	312lm
Rated duration	90 min
Classification	C0:D32

BATTERY

BATTERY		CHARGE	
Type	LiFePO ₄	Type	Smart charge
Voltage	6.4 V	Time	16 Hours
Codes	01302		

CONSTRUCTION

Body	PC	Diffuser	PC
Gear tray	FR-4		

COMPLIANCE

Standards	AS/NZS 60598.1	IEC 60598-2-22
	AS 60598.2.22	CISPR 15
	AS/NZS 61347.1	AS/NZS 2293.3
	AS/NZS 61347.2.13	AS/NZS 60598.2.1

NOTE: For more information on the chemical resistance of our polycarbonate or our compliance documentation, please see our website.

ACCESSORY RANGE

SKU	ORDER CODE	DESCRIPTION
01302	EV-1500MAH-6.4V-LIFEP04	LiFePO ₄ Battery 6.4V 1500mAh

PRODUCT RANGE (NON-EMERGENCY)

ORDER CODE	PRODUCT NUMBER	SKU
EV-PEARL-IP54-ADV Pearl Circular IP54, Tri-Colour LEGACY CODE: EV-PEARL-IP54	9336462110218	11021
EV-PEARL-IP54-ADV-S Pearl Circular IP54, Tri-Colour, Corridor function LEGACY CODE: EV-PEARL-IP54-S	9336462110300	11030

PRODUCT RANGE (EMERGENCY)

ORDER CODE	PRODUCT NUMBER	SKU
EV-PEARL-EM-IP54-ADV Pearl Circular IP54 Emergency, Tri-Colour LEGACY CODE: EV-PEARL-EM-IP54-LITE	9336462110201	11020
EV-PEARL-EM-IP54-ADV-S Pearl Circular IP54 Emergency, Tri-Colour, Corridor function LEGACY CODE: EV-PEARL-EM-IP54-LITE-S	9336462110133	11013

LAMP SPECIFICATIONS

MODEL	STANDBY CHARGE LAMP ON	MAX CHARGE LAMP ON*	STANDBY CHARGE LAMP OFF	LUMENS (3000K / 4000K / 6000K)	EFFICACY
EV-PEARL-IP54-ADV	16W	-	-	1250lm, 1500lm, 1350lm	93lm/W
EV-PEARL-IP54-ADV-S	17W	-	-	1250lm, 1500lm, 1350lm	88lm/W
EV-PEARL-EM-IP54-ADV	17W	19W	1W	1250lm, 1500lm, 1350lm	78lm/W
EV-PEARL-EM-IP54-ADV-S	18W	20W	1W	1250lm, 1500lm, 1350lm	83lm/W

QUADRO

FEATURES



SELF TEST

Reduce ongoing site time and costs by automating easy testing with this smart emergency.



CORRIDOR MODE

Corridor mode, optimised for use in walkways. Available on Advanced and Professional models.



WIRELESS MESH

With zencontrol technology the Quadro will automatically test and sync data to the zencontrol IoT cloud.

OVERVIEW



MICROWAVE MOTION SENSORS

Optimise and save energy with your lights. Both emergency and non-emergency models come with a sensor option.



COLOUR CHANGE OPTIONS

Advanced models are available in tri-colour. Professional models have colour tuneable white, allowing adjustment for a better working environment.



WEATHERPROOF RATINGS

For demanding environments, the Quadro provides protection against dust and weather with a IP65 rating and impact with an IK08 rating.

PRODUCT LINES

ADVANCED

- Reliability and quality in a standard form factor
- LED lifetime >60,000 hours (L70), >60,000 hours (L80) and 38,000 hours (L90)
- 8 years design life at max. ambient
- Emergency and non-emergency models available
- High quality lithium (LiFePO₄) battery*
- Low power consumption
- Microwave sensor*
- Corridor mode*
- Fully compliant
- Tri-colour selection

PROFESSIONAL

- Class leading features, highest reliability and lowest power options
- LED lifetime >120,000 hours (L70), 90,000 hours (L80) and 43,000 hours (L90)
- 12 years design life at max. ambient
- Emergency and non-emergency models available
- High quality lithium (LiFePO₄) battery*
- Lowest power consumption
- DALI-2 microwave sensor (303)*
- Corridor mode*
- Fully compliant
- DALI tuneable white (DT8)
- Smart battery charge*
- Self test (AS2293/IEC62034)
- DALI dimmable (DT6)
- DALI emergency monitoring (DT1)*
- DALI-2 switch (301,302)
- DALI power monitoring (DT51)

* Available on selected models

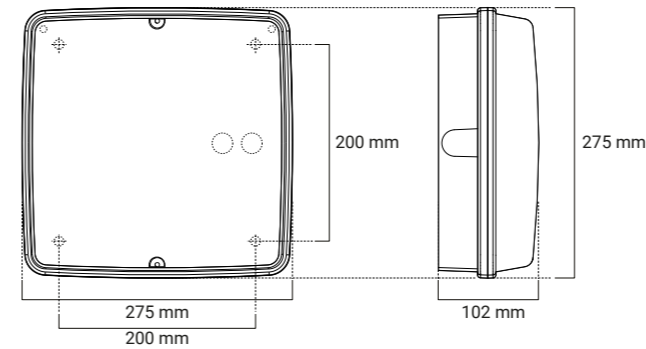
Sturdy IK08 square bulkhead (pictured) with IP65 weatherproof rating, tri-color control and corridor function is a safe choice. Emergency and non-emergency models available, with our without sensor.

QUADRO IP65

ADVANCED



DIMENSIONS



FEATURES

GENERAL FEATURES

- Tri-colour selection
- Vandalproof IK08 rating
- IP65 weatherproof rating
- Emergency and non-emergency models
- Selectable power consumption: 11 or 20W

EMERGENCY MODELS (-EM)

- Fully compliant (AS/NZS 2293.3)
- High quality lithium battery (LiFePO₄) and smart charger

SENSOR MODELS (-S)

- Inbuilt Microwave sensor
- Corridor mode

BUILT TO LAST

- Long life electronics
- 8 years design life at max. ambient

SUITABLE INSTALLATION TYPES (OUT OF THE BOX)

- Standalone (SPU)

OPERATIONAL INFORMATION

GENERAL			
Voltage	230V~ 50Hz		
Ambient temp.	0 to 40°C		
Class	1		
Wiring	Terminal block (1-16 mm ϕ)		
Mounting type	Surface		
IP rating	IP65		
IK rating	IK08		
CRI	>80		
EMERGENCY			
Em. Lamp Power	3.3 W	Em. Lumens	400lm
Rated duration	90 min	Classification	C0:D50
BATTERY		CHARGE	
Type	LiFePO ₄	Type	Smart charge
Voltage	6.4 V	Time	16 Hours
Codes	01302	Operation	Multi-state
CONSTRUCTION			
Diffuser	PC Prismatic, clear	Body	PC
COMPLIANCE			
Standards	AS/NZS 60598.1 AS/NZS 60598.2.1 AS/NZS 61347.1 AS/NZS 61347.2.13 AS/NZS 61058.1	AS/NZS CISPR 15 AS/NZS 4268 AS 60598.2.22 AS/NZS 2293.3 IEC 60598-2-22	

NOTE: For more information on the chemical resistance of our polycarbonate or our compliance documentation, please see our website.

ACCESSORY RANGE

SKU	ORDER CODE	DESCRIPTION
01302	EV-1500MAH-6.4V-LIFEP04	LiFePO ₄ Battery 6.4V 1500mAh

LAMP SPECIFICATIONS

MODEL	STANDBY CHARGE LAMP ON	MAX CHARGE LAMP ON*	STANDBY CHARGE LAMP OFF	LUMENS (3000K / 4000K / 6500K)	EFFICACY
EV-QUADRO-ADV	11W	-	-	1340lm, 1415lm, 1400lm	128lm/W
EV-QUADRO-ADV-S	20W	-	-	2220lm, 2450lm, 2300lm	122lm/W
EV-QUADRO-EM-ADV	11W	13W	1W	1340lm, 1415lm, 1400lm	128lm/W
EV-QUADRO-EM-ADV-S	20W	22W	1W	2220lm, 2450lm, 2300lm	122lm/W

PRODUCT RANGE (NON-EMERGENCY)

ORDER CODE	PRODUCT NUMBER	SKU
EV-QUADRO-ADV	9336462145203	14520
Advanced LED Weatherproof Bunker		
EV-QUADRO-ADV-S	9336462145227	14522
Advanced LED Weatherproof Bunker with corridor function		

PRODUCT RANGE (EMERGENCY)

ORDER CODE	PRODUCT NUMBER	SKU
EV-QUADRO-EM-ADV	9336462145210	14521
Advanced LED Weatherproof Emergency Bunker		
EV-QUADRO-EM-ADV-S	9336462145234	14523
Advanced LED Weatherproof Emergency Bunker with corridor function		

QUADRO IP65

PROFESSIONAL

LYNK



Last updated: 24 November 2022 V 1.1

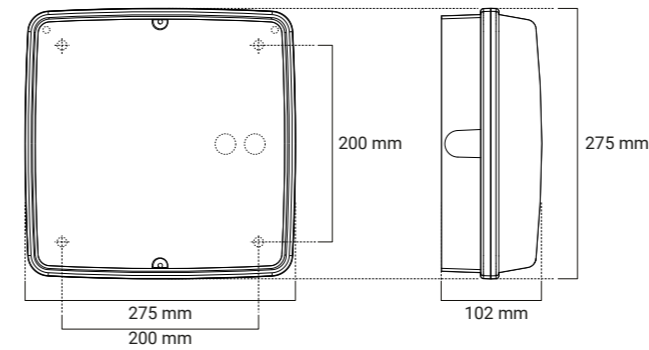
PRODUCT RANGE (NON-EMERGENCY)

ORDER CODE	PRODUCT NUMBER	SKU
EV-QUADRO-PRO Professional LED Weatherproof Bunker	9336462146309	14630
EV-QUADRO-PRO-S Professional LED Weatherproof Bunker with sensor	9336462146323	14632
EV-QUADRO-PRO-LK Lynk Quadro LED Bunker IP65 w/wireless - PRO	9336462179376	17937
EV-QUADRO-PRO-S-LK Lynk Quadro LED Bunker IP65 w/corridor function sensor w/wireless - PRO	9336462179390	17939

PRODUCT RANGE (EMERGENCY)

ORDER CODE	PRODUCT NUMBER	SKU
EV-QUADRO-EM-PRO Professional LED Weatherproof Emergency Bunker	9336462146316	14631
EV-QUADRO-EM-PRO-S Professional LED Weatherproof Emergency Bunker with sensor	9336462146330	14633
EV-QUADRO-EM-PRO-LK Lynk Quadro LED Emergency Bunker IP65 w/wireless - PRO	9336462179383	17938
EV-QUADRO-EM-PRO-S-LK Lynk Quadro LED Emergency Bunker IP65 w/corridor function sensor w/wireless - PRO	9336462179406	17940

DIMENSIONS



FEATURES

GENERAL FEATURES

- Vandal-proof IK08 rating
- IP65 weatherproof rating
- Power monitoring (DT51)
- Tuneable white (DT8-Tc) controlled by DALI
- Flicker-free dimming controlled by DALI
- Emergency and non-emergency models
- Wireless meshing system*

EMERGENCY MODELS (-EM)

- Fully compliant (AS/NZS 2293.3)
- Soft-start charger to reduce building load
- High quality lithium battery (LiFePO₄) and smart charger

SENSOR MODELS (-S)

- Microwave sensor suitable for DALI-2 supporting IEC 62386-303
- Corridor mode function in standalone operation

BUILT TO LAST

- Long life electronics
- 12 years design life at max. ambient
- Light source life >120,000h, (L70B10)

SUITABLE INSTALLATION TYPES (OUT OF THE BOX)

- Standalone (SPU)
- Self test (AS2293/IEC62034)
- DALI (IEC62386)
- Ektor wired monitored system
- IEC62386 over IEC62386-104*
- Wireless monitoring*

OPERATIONAL INFORMATION

GENERAL			
Voltage	230V~ 50Hz		
Ambient temp.	0 to 40°C		
Class	1		
Wiring	Terminal block (1-16 mm ϕ)		
Mounting type	Surface		
IP rating	IP65		
IK rating	IK08		
Sensor range	ϕ 10 m (mounted at 2.7 m height)		
CRI	>84		
Colour temp.	3000 to 6500 K		
CONTROL			
Wired	DALI Monitored (DT1)		
Wireless	IEC62386-104 (Wireless DT1)		
EMERGENCY			
Em. Lamp Power	2.7 W	Em. Lumens	430lm
Rated duration	90 min	Classification	C0:D50
BATTERY		CHARGE	
Type	LiFePO ₄	Type	Smart charge
Voltage	6.4 V	Time	16 Hours
Codes	01302	Operation	Multi-state
CONSTRUCTION			
Diffuser	PC	Body	PC
Gear tray	Metal Clad		
COMPLIANCE			
Standards	AS/NZS 60598.1 AS 60598.2.22 AS/NZS 61347.1 AS/NZS 61347.2.13 IEC 60598-2-22 AS/NZS 60598.2.1	AS/NZS 2293.3 IEC 62034 AS CISPR 15 AS/NZS 4268 IEC 62386-102 IEC 62386-202	IEC 62386-207 IEC 62386-209 IEC 62386-252 IEC 62386-103 IEC 62386-303

NOTE: For more information on the chemical resistance of our polycarbonate or our compliance documentation, please see our website.

ACCESSORY RANGE

SKU	ORDER CODE	DESCRIPTION
01302	EV-1500MAH-6.4V-LIFEP04	LiFePO ₄ Battery 6.4V 1500mAh

LAMP SPECIFICATIONS

MODEL	STANDBY CHARGE LAMP ON	MAX CHARGE LAMP ON*	STANDBY CHARGE LAMP OFF	LUMENS	EFFICACY
EV-QUADRO-PRO EV-QUADRO-PRO-S EV-QUADRO-PRO-LK EV-QUADRO-PRO-S-LK	27W	-	0.3W	>3200lm	118lm/W
EV-QUADRO-EM-PRO EV-QUADRO-EM-PRO-S EV-QUADRO-EM-PRO-LK EV-QUADRO-EM-PRO-S-LK	27W	29W	0.3W	>3200lm	118lm/W

* Lynk models only

All photometric data has a tolerance of $\pm 10\%$.

TWINSPOT

FEATURES



WEATHERPROOF

For those more demanding environments, the Twinspot provides levels of protection against dust and harsh weather.



LITHIUM BATTERIES

All Twinspots use quality Lithium LiFePO₄ batteries. These are environmentally friendly and allow for maximum charging efficiency.



LYNK

Connect emergency products into a wireless mesh for simpler and easier emergency testing and monitoring.*

MOVEMENT



DOWNWARD MOVEMENT

Up to 40-degree headlight downward range of movement.



SIDeways MOVEMENT

Up to 45-degree headlight sideways movement.



UPWARD MOVEMENT

Up to 40-degree headlight upward range of movement.

PRODUCT LINES

ADVANCED

Reliability and quality in a standard form factor

8 years design life at max. ambient

6 year warranty

High quality lithium (LiFePO₄) battery

Low power consumption

IP65, weatherproof

Fully compliant

PROFESSIONAL

Class leading, highest reliability and lowest standby power

12 years design life at max. ambient

8 year warranty

High quality lithium (LiFePO₄) battery

Lowest power consumption

IP65, weatherproof

Fully compliant

Lynk wireless mesh option

Smart battery charge

Self test

DALI emergency monitoring (DT1)

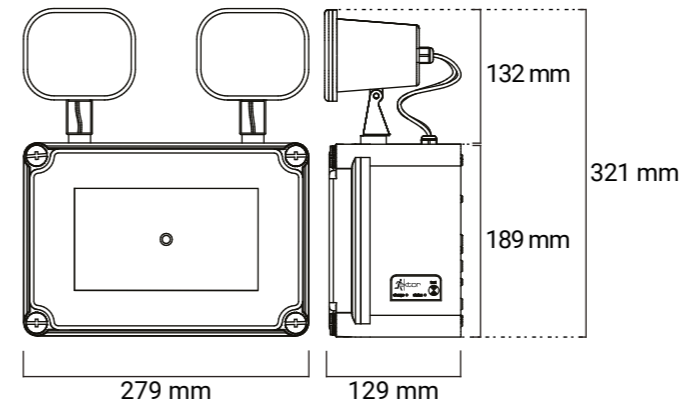
The Twinspot (pictured) with powerful dual floodlights and an IP65 rating, is perfect for indoor or outdoor use. Available in black or white and suitable for applications where traditional fittings are difficult to mount. The Twinspot features two moveable heads, allowing light to be directed where it's needed most.

TWINSPOT

ADVANCED



DIMENSIONS



FEATURES

GENERAL FEATURES

- Non-maintained operation
- Emergency output of 2 x 140 lm
- Low energy consumption (avg. <0.45W)

BUILT TO LAST

- Long life electronics
- 8 years design life at max. ambient
- High quality lithium battery (LiFePO₄) and smart charger

SUITABLE INSTALLATION TYPES (OUT OF THE BOX)

- Standalone (SPU)

ACCESSORY RANGE

SKU	ORDER CODE	DESCRIPTION
01302	EV-1500MAH-6.4V-LIFEP04	LiFePO ₄ Battery 6.4V 1500mAh

OPERATIONAL INFORMATION

GENERAL			
Voltage	230V~ 50Hz		
Ambient temp.	0 to 40°C		
Class	1		
IP rating	IP65		
IK rating	IK10		
Wiring	Terminal block (1-16 mm □)		
Mounting type	Surface		
EMERGENCY			
Emergency lamp power	2.7W		
Rated duration	90 min		
Em. lumens	2 x 140 lm		
BATTERY		CHARGE	
Type	LiFePO ₄	Type	Smart charge
Voltage	6.4 V	Time	16 Hours
Codes	01302	Operation	Variable
CONSTRUCTION			
Body	PC		
Diffuser	PC		
Gear tray	Galvanized steel		
COMPLIANCE			
Standards	AS/NZS 60598.1 AS 60598.2.22 AS/NZS 61347.1 AS/NZS 61347.2.13	IEC 60598-2-22 AS CISPR 15 AS/NZS 2293.3	

NOTE: For more information on the chemical resistance of our polycarbonate or our compliance documentation, please see our website.

TOTAL POWER CONSUMPTION (TPC)

MAX.	AVG.
2.5 W	0.45 W

NOTE: Average power consumption calculated with the assumption of four emergency events per year and that the battery charger is in standby at all other times (above typical usage).

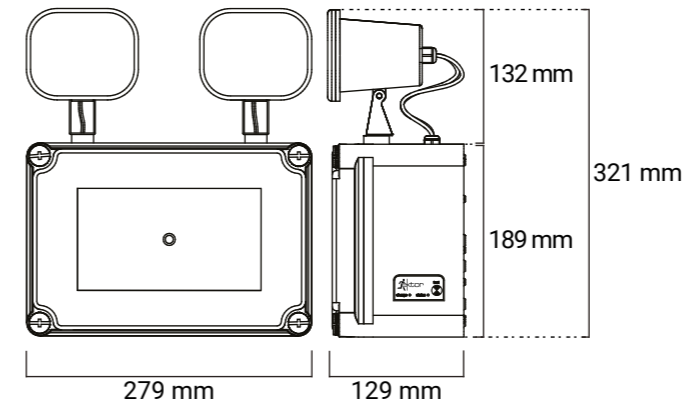
PRODUCT RANGE (NON-EMERGENCY)

ORDER CODE	PRODUCT NUMBER	SKU
EV-TWINSPOT-WP-LITE	9336462110546	11054
Twinspot IP65 Lite Emergency Luminaire		

TWINSPOT

PROFESSIONAL
LYNK

CERTIFIED

DIMENSIONS

FEATURES
GENERAL FEATURES

- Emergency output of 2 x 208 lm
- Soft-start charger to reduce building load
- Selectable discharge rating for hazardous areas
- Fast emergency switch-over (<0.5s) for high-task areas
- Wireless meshing system*

BUILT TO LAST

- Long life electronics
- 12 years design life at max. ambient
- High quality lithium battery (LiFePO₄) and smart charger

SUITABLE INSTALLATION TYPES (OUT OF THE BOX)

- Standalone (SPU)
- Self test (AS2293/ IEC62034)
- DALI (IEC62386)
- Ektor wired monitored system
- IEC62386 over IEC62386-104*
- Wireless monitoring*

ACCESSORY RANGE

SKU	ORDER CODE	DESCRIPTION
01303	EV-3000MAH-6.4V-LIFEP04	LiFePO ₄ Battery 6.4V 3000mAh

OPERATIONAL INFORMATION

GENERAL			
Voltage	230V~ 50Hz		
Ambient temp.	0 to 40°C		
Class	2		
IP rating	IP65		
IK rating	IK10		
Wiring	Terminal block (1-16 mm □)		
Mounting type	Surface		
CONTROL			
Wired	DALI Monitored (DT1)		
Wireless	IEC62386-104 (Wireless DT1)		
EMERGENCY			
Emergency lamp power	5.5 W		
Rated duration	90 min		
Em. lumens	2 x 208 lm		
BATTERY		CHARGE	
Type	LiFePO ₄	Type	Smart charge
Voltage	6.4 V	Time	16 Hours
Codes	01303		
CONSTRUCTION			
Body	PC V0, 850		
Diffuser	PC V2, 750		
Gear tray	Galvanized steel		
COMPLIANCE			
Standards	AS/NZS 60598.2.1 AS/NZS 60598.1 AS 60598.2.22 IEC 60598-2-22 AS/NZS 61347.1 AS/NZS 61347.2.13	IEC 62386-102 IEC 62386-202 IEC 62034 AS CISPR 15 AS/NZS 2293.3	

NOTE: For more information on the chemical resistance of our polycarbonate or our compliance documentation, please see our website.

TOTAL POWER CONSUMPTION (TPC)

MAX.	AVG.
3 W	0.25 W

NOTE: Average power consumption calculated with the assumption of four emergency events per year and that the battery charger is in standby at all other times (above typical usage).

PRODUCT RANGE (WHITE)

ORDER CODE	PRODUCT NUMBER	SKU
EV-TWINSPOT-WP-PRO	9336462017081	01708
Twinspot IP65 Pro Emergency Luminaire		
EV-TWINSPOT-WP-PRO-LK	9336462101988	10198
Lynk Twinspot IP65 Professional Emergency Exit - w/wireless		

PRODUCT RANGE (BLACK)

ORDER CODE	PRODUCT NUMBER	SKU
EV-TWINSPOT-WP-PRO-B*	9336462017074	01707
Twinspot IP65 Pro Emergency Luminaire, Black		
EV-TWINSPOT-WP-PRO-B-LK*	9336462101995	10199
Lynk Twinspot IP65 Professional Emergency Exit, Black - w/wireless		

*Built to order

*Lynk models only

UMBRA

FEATURES



EXCLUSIVE UMBRA WARRANTY

The Umbra warranty provides an exclusive 2 year onsite warranty coverage



LITHIUM BATTERIES

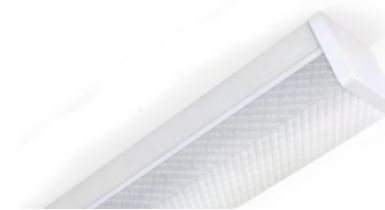
All Umbra's use quality Lithium LiFePO₄ batteries. These are environmentally friendly and allow for maximum charging efficiency.



DALI DIMMABLE

The Umbra Professional range is fully dimmable, providing smooth, user-friendly brightness control.

MODELS



DIFFUSED



WIREGUARD



WEATHERPROOF (IP65)

PRODUCT LINES

CORE

Reliability and quality on a budget in a compact form factor

LED lifetime >72,000 hours (L70), >72,000 hours (L80) and 39,000 hours (L90)

6 years design life at max. ambient

Exclusive Umbra 2 year onsite warranty

High quality lithium (LiFePO₄) battery*

Fully compliant

Tri-colour selection

ADVANCED

Reliability and quality in a standard form factor

LED lifetime >60,000 hours (L70), 42,000 hours (L80) and 21,000 hours (L90)

8 years design life at max. ambient

Exclusive Umbra 2 year onsite warranty

High quality lithium (LiFePO₄) battery*

Fully compliant

Tri-colour selection

Low power consumption

Corridor mode*

Microwave sensor*

PROFESSIONAL

Class leading, highest reliability and lowest standby power

LED lifetime >120,000 hours (L70), 90,000 hours (L80) and 43,000 hours (L90)

12 years design life at max. ambient

Exclusive Umbra 2 year onsite warranty

High quality lithium (LiFePO₄) battery*

Fully compliant

Lowest power consumption

Corridor mode*

DALI-2 microwave sensor (303)*

Smart battery charge*

Lynk wireless mesh option

DALI dimmable (DT6)

DALI emergency monitoring (DT1)*

DALI-2 switch (301,302)

DALI power monitoring (DT51)

The Umbra (pictured) is a white, tuneable LED emergency batten with weatherproof ratings of up to IP65. Available in Wireguard, Bare and Diffused with a dimmable option, this is a range for every batten need. Available in 600 & 1200mm models.

* Available on selected models

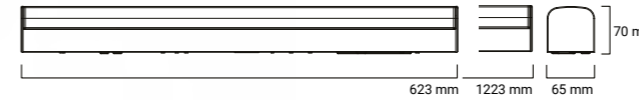
UMBRA DIFFUSED

CORE



Last updated: 24 November 2022 V 1.1

DIMENSIONS



FEATURES

GENERAL FEATURES

- Tri-colour selection
- Modern narrow design
- Large terminal block
- Emergency and non-emergency models

EMERGENCY MODELS (-EM)

- Fully compliant (AS/NZS 2293.3)
- High quality lithium battery (LiFePO₄) and smart charger

BUILT TO LAST

- Long life electronics
- LED Lifetime >72,000 hours (L70/B50)
- 6 years design life at max. ambient

SUITABLE INSTALLATION TYPES (OUT OF THE BOX)

- Standalone (SPU)

ACCESSORY RANGE

SKU	ORDER CODE	DESCRIPTION
18096	EV-3400MAH-3.2V-LIFEP04	LiFePO ₄ Battery 3.2V 3400mAh

OPERATIONAL INFORMATION

GENERAL			
Voltage	230V~ 50Hz		
Ambient temp.	0 to 40°C		
Class	1		
Wiring	Re-wireable terminal block		
Mounting type	Surface		
IP rating	IP20		
CRI	80	SDCM	< 5
EMERGENCY			
Rated duration	90 min		
Classification	C0:D50, C90:D25		
BATTERY		CHARGE	
Type	LiFePO ₄	Type	Smart charge
Voltage	3.2 V	Time	16 Hours
Code	18096	Operation	Multi-state
CONSTRUCTION			
Body	Powder coated steel	Diffuser	PMMA
Gear tray	Powder coated steel	Endcaps	PC
COMPLIANCE			
Standards	AS/NZS 60598.1 AS 60598.2.22 AS/NZS 61347.1 AS/NZS 61347.2.13	IEC 60598-2-22 AS CISPR 15 AS/NZS 2293.3 AS/NZS 60598.2.1	

NOTE: For more information on the chemical resistance of our polycarbonate or our compliance documentation, please see our website.

LAMP SPECIFICATIONS

MODEL	STANDBY CHARGE LAMP ON	MAX CHARGE LAMP ON	STANDBY CHARGE LAMP OFF	LUMENS (4000K / 5000K / 6500K)	EFFICACY
EV-UMBRA-CORE-DIFF-600-TRI	12W	-	-	1450 lm / 1525 lm / 1425 lm	127 lm/W
	20W	-	-	2200 lm / 2375 lm / 2150 lm	118 lm/W
EV-UMBRA-CORE-DIFF-600-EM-TRI	12W	14W	1W	1450 lm / 1525 lm / 1425 lm	127 lm/W
	20W	22W	1W	2200 lm / 2375 lm / 2150 lm	118 lm/W
EV-UMBRA-CORE-DIFF-1200-TRI	24W	-	-	3125 lm / 3275 lm / 3025 lm	136 lm/W
	40W	-	-	4650 lm / 5000 lm / 4500 lm	125 lm/W
EV-UMBRA-CORE-DIFF-1200-EM-TRI	24W	26W	1W	3125 lm / 3275 lm / 3025 lm	136 lm/W
	40W	42W	1W	4650 lm / 5000 lm / 4500 lm	125 lm/W

PRODUCT RANGE (600MM)

ORDER CODE	PRODUCT NUMBER	SKU
EV-UMBRA-CORE-DIFF-600-TRI	9336462155752	15575
600mm Diffused LED Batten		
EV-UMBRA-CORE-DIFF-600-EM-TRI	9336462155769	15576
600mm Diffused LED Emergency Batten		

PRODUCT RANGE (1200MM)

ORDER CODE	PRODUCT NUMBER	SKU
EV-UMBRA-CORE-DIFF-1200-TRI	9336462155776	15577
1200mm Diffused LED Batten		
EV-UMBRA-CORE-DIFF-1200-EM-TRI	9336462155783	15578
1200mm Diffused LED Emergency Batten		

UMBRA DIFFUSED

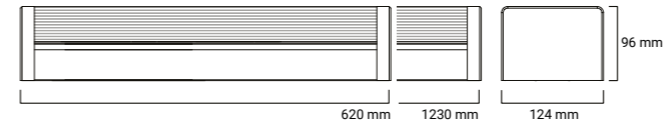
ADVANCED

UMBRA

UMBRA



DIMENSIONS



FEATURES

GENERAL FEATURES

- Tri-colour selection
- Wide body design
- Large terminal block
- Emergency and non-emergency models

EMERGENCY MODELS (-EM)

- Fully compliant (AS/NZS 2293.3)
- High quality lithium battery (LiFePO₄) and smart charger

SENSOR MODELS (-S)

- Microwave sensor
- Corridor mode function

BUILT TO LAST

- Long life electronics
- LED Lifetime >60,000 hours (L70B10)
- 8 years design life at max. ambient

SUITABLE INSTALLATION TYPES (OUT OF THE BOX)

- Standalone (SPU)

ACCESSORY RANGE

SKU	ORDER CODE	DESCRIPTION
01302	EV-1500MAH-6.4V-LIFEP04	LiFePO ₄ Battery 6.4V 1500mAh

OPERATIONAL INFORMATION

GENERAL			
Voltage	230V~ 50Hz		
Ambient temp.	0 to 40°C		
Class	1		
Wiring	Terminal block (1-16 mm □)		
Mounting type	Surface		
IP rating	IP20		
CRI	80	SDCM	< 4
Diffuser	PMMA		
EMERGENCY		-600	
Rated duration	90 min	90 min	
Classification	C0:D63, C90:D32	C0:D63, C90:D40	
BATTERY		CHARGE	
Type	LiFePO ₄	Type	Smart charge
Voltage	6.4 V	Time	16 Hours
Code	01302	Operation	Multi-state
CONSTRUCTION			
Body	Powder coated steel	Diffuser	PMMA
Gear tray	Powder coated steel	Endcaps	PC
COMPLIANCE			
Standards	AS/NZS 60598.1	IEC 60598-2-22	
	AS 60598.2.22	AS CISPR 15	
	AS/NZS 61347.1	AS/NZS 2293.3	
	AS/NZS 61347.2.13	AS/NZS 60598.2.1	

NOTE: For more information on the chemical resistance of our polycarbonate or our compliance documentation, please see our website.

LAMP SPECIFICATIONS

MODEL	STANDBY CHARGE LAMP ON	MAX CHARGE LAMP ON*	STANDBY CHARGE LAMP OFF	LUMENS (4000K / 5000K / 6500K)	EFFICACY
EV-UMBRA-ADV-DIFF-600-TRI	9W	-	-	1100 lm / 1150 lm / 1100 lm	127 lm/W
	17W	-	-	1850 lm / 2000 lm / 1850 lm	117 lm/W
EV-UMBRA-ADV-DIFF-600-S-TRI	12W	-	-	1200 lm / 1250 lm / 1200 lm	104 lm/W
	22W	-	-	2250 lm / 2350 lm / 2200 lm	107 lm/W
EV-UMBRA-ADV-DIFF-600-EM-TRI	12W	14W	1W	1200 lm / 1250 lm / 1200 lm	104 lm/W
EV-UMBRA-ADV-DIFF-600-EM-S-TRI	22W	24W	1W	2250 lm / 2350 lm / 2200 lm	107 lm/W
EV-UMBRA-ADV-DIFF-1200-TRI	20W	-	-	2250 lm / 3150 lm / 3000 lm	158 lm/W
EV-UMBRA-ADV-DIFF-1200-S-TRI	36W	-	-	4700 lm / 4900 lm / 4700 lm	136 lm/W
EV-UMBRA-ADV-DIFF-1200-EM-TRI	20W	14W	1W	2250 lm / 3150 lm / 3000 lm	158 lm/W
EV-UMBRA-ADV-DIFF-1200-EM-S-TRI	36W	38W	1W	4700 lm / 4900 lm / 4700 lm	136 lm/W

PRODUCT RANGE (600MM)

ORDER CODE	PRODUCT NUMBER	SKU
EV-UMBRA-ADV-DIFF-600-TRI	9336462121801	12180
Advanced 600 mm Diffused Batten		
EV-UMBRA-ADV-DIFF-600-EM-TRI	9336462121818	12181
Advanced 600 mm Diffused Emergency Batten		
EV-UMBRA-ADV-DIFF-600-S-TRI	9336462121825	12182
Advanced 600 mm Diffused Batten with sensor		
EV-UMBRA-ADV-DIFF-600-EM-S-TRI	9336462121832	12183
Advanced 600 mm Diffused Emergency Batten with sensor		

PRODUCT RANGE (1200MM)

ORDER CODE	PRODUCT NUMBER	SKU
EV-UMBRA-ADV-DIFF-1200-TRI	9336462121849	12184
Advanced 1200 mm Diffused Batten		
EV-UMBRA-ADV-DIFF-1200-EM-TRI	9336462121863	12186
Advanced 1200 mm Diffused Emergency Batten		
EV-UMBRA-ADV-DIFF-1200-S-TRI	9336462121887	12188
Advanced 1200 mm Diffused Batten with sensor		
EV-UMBRA-ADV-DIFF-1200-EM-S-TRI	9336462121894	12189
Advanced 1200 mm Diffused Emergency Batten with sensor		

UMBRA DIFFUSED

PROFESSIONAL

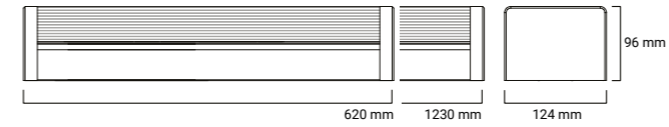


Last updated: 24 November 2022 | V 1.1

PRODUCT RANGE (600)		
ORDER CODE	PRODUCT NUMBER	SKU
EV-UMBRA-PRO-DIFF-600 Professional 600 mm Diffused Batten	9336462122334	12233
EV-UMBRA-PRO-DIFF-600-EM Professional 600 mm Diffused Emergency Batten	9336462122341	12234
EV-UMBRA-PRO-DIFF-600-S Professional 600 mm Diffused Batten with sensor	9336462122358	12235
EV-UMBRA-PRO-DIFF-600-EM-S Professional 600 mm Diffused Emergency Batten with sensor	9336462122365	12236

PRODUCT RANGE (1200)		
ORDER CODE	PRODUCT NUMBER	SKU
EV-UMBRA-PRO-DIFF-1200 Professional 1200 mm Diffused Batten	9336462122372	12237
EV-UMBRA-PRO-DIFF-1200-EM Professional 1200 mm Diffused Emergency Batten	9336462122389	12238
EV-UMBRA-PRO-DIFF-1200-S Professional 1200 mm Diffused Batten with sensor	9336462122396	12239
EV-UMBRA-PRO-DIFF-1200-EM-S Professional 1200 mm Diffused Emergency Batten with sensor	9336462122402	12240

DIMENSIONS



FEATURES

GENERAL FEATURES

- Power monitoring (DT51)
- Wide body design
- Large terminal block
- Flicker-free dimming controlled by DALI
- Emergency and non-emergency models

EMERGENCY MODELS (-EM)

- Fully compliant (AS/NZS 2293.3)
- Soft-start charger to reduce building load
- High quality lithium battery (LiFePO₄) and smart charger

SENSOR MODELS (-S)

- Microwave sensor suitable for DALI-2 supporting IEC 62386-303
- Light level sensor suitable for DALI-2 supporting IEC 62386-304
- IR remote controllable, custom configurations
- Corridor mode function in standalone operation

BUILT TO LAST

- Long life electronics
- LED lifetime 100,000 hours (L80B20)
- 12 years product design life at max. ambient

SUITABLE INSTALLATION TYPES (OUT OF THE BOX)

- Standalone (SPU)
- Self test (AS2293/IEC62034)
- DALI (IEC62386)
- Ektor wired monitored system
- Wireless monitoring (with **Lynk**, Wireless Expansion board)

ACCESSORY RANGE

SKU	ORDER CODE	DESCRIPTION
01302	EV-1500MAH-6.4V-LIFEP04	LiFePO ₄ Battery 6.4V 1500mAh

LAMP SPECIFICATIONS

MODEL	STANDBY CHARGE LAMP ON	MAX CHARGE LAMP ON*	STANDBY CHARGE LAMP OFF	LUMENS 4000K	EFFICACY
EV-UMBRA-PRO-DIFF-600-TRI EV-UMBRA-PRO-DIFF-600-S-TRI	20W	-	0.3W	> 2200 lm	> 110 lm/W
EV-UMBRA-PRO-DIFF-600-EM-TRI EV-UMBRA-PRO-DIFF-600-EM-S-TRI	20W	22W	0.3W	> 2200 lm	> 110 lm/W
EV-UMBRA-PRO-DIFF-1200-TRI EV-UMBRA-PRO-DIFF-1200-S-TRI	33W	-	0.3W	> 4400 lm	> 133 lm/W
EV-UMBRA-PRO-DIFF-1200-TRI EV-UMBRA-PRO-DIFF-1200-S-TRI	33W	36W	0.3W	> 4400 lm	> 133 lm/W

OPERATIONAL INFORMATION

GENERAL			
Voltage	230V~ 50Hz		
Ambient temp.	0 to 40°C		
Class	1		
IP rating	IP20		
CRI	>84	SDCM	< 3
CCT	4000K		
Wiring	Terminal block (1-16 mm □)		
Mounting type	Surface		
Wireless	IEC62386-104 over Thread (with Lynk Expansion module)		
EMERGENCY			
Rated duration	90 min		
Classification	C0:D50, C90:D25		
BATTERY		CHARGE	
Type	LiFePO ₄	Type	Smart charge
Voltage	6.4 V	Time	16 Hours
Code	01302	Operation	Multi-state
CONSTRUCTION			
Body	Powder coated steel	Diffuser	Acrylic
Gear tray	Powder coated steel	Endcaps	PC
COMPLIANCE			
Standards	AS/NZS 60598.2.22 AS/NZS 60598.1 AS/NZS 60598.2.1 AS/NZS 2293.3 IEC 60598-2-22	IEC 62034 AS CISPR 15 IEC 62386-102 IEC 62386-202 IEC 62386-207	IEC 62386-252 IEC 62386-103 IEC 62386-303 IEC 62386-304

NOTE: For more information on the chemical resistance of our polycarbonate or our compliance documentation, please see our website.

UMBRA WIREGUARD

ADVANCED

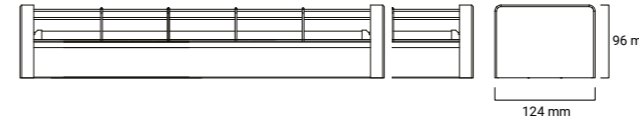
UMBRA

UMBRA



Last updated: 24 November 2022 V 1.1

DIMENSIONS



FEATURES

GENERAL FEATURES

- Tri-colour selection
- Wide body design
- Large Terminal Block
- Emergency and non-emergency models

EMERGENCY MODELS (-EM)

- High quality lithium battery (LiFePO₄) and smart charger
- Fully compliant (AS/NZS 2293.3)

BUILT TO LAST

- Long life electronics
- LED lifetime >60,000 hours (L70B50)
- 8 years design life at max. ambient

SUITABLE INSTALLATION TYPES (OUT OF THE BOX)

- Standalone (SPU)

ACCESSORY RANGE

SKU	ORDER CODE	DESCRIPTION
01302	EV-1500MAH-6.4V-LIFEP04	LiFePO ₄ Battery 6.4V 1500mAh

OPERATIONAL INFORMATION

GENERAL			
Voltage	230V~ 50Hz		
Ambient temp.	0 to 40°C		
Class	1		
Wiring	Terminal block (1-16 mm □)		
Mounting type	Surface		
IP rating	IP20		
CRI	80	SDCM	< 4
EMERGENCY			
Rated duration	90 min		
Classification	C0:D63, C90:D40		
BATTERY		CHARGE	
Type	LiFePO ₄	Type	Smart charge
Voltage	6.4 V	Time	16 Hours
Code	01302	Operation	Multi-state
CONSTRUCTION			
Body	Powder coated steel	Diffuser	PMAA
Gear tray	Powder coated steel	Endcaps	PC
COMPLIANCE			
Standards	AS/NZS 60598.2.22 AS/NZS 60598.1 AS/NZS 60598.2.1 AS/NZS 2293.3 IEC 60598-2-22	IEC 62034 AS CISPR 15 IEC 62386-102 IEC 62386-202 IEC 62386-207	IEC 62386-209 IEC 62386-252 IEC 62386-103 IEC 62386-303 IEC 62386-304

NOTE: For more information on the chemical resistance of our polycarbonate or our compliance documentation, please see our website.

LAMP SPECIFICATIONS

MODEL	STANDBY CHARGE LAMP ON	MAX CHARGE LAMP ON*	STANDBY CHARGE LAMP OFF	LUMENS (4000K / 5000K / 6500K)	EFFICACY
EV-UMBRA-ADV-WG-1200	22W	-	-	2800 lm / 2800 lm / 2600 lm	127 lm/W
	36W	-	-	4250 lm / 4350 lm / 3900 lm	120 lm/W
EV-UMBRA-ADV-WG-1200-EM	22W	24W	1W	2250 lm / 2150 lm / 2000 lm	102 lm/W
	36W	38W	1W	4250 lm / 4350 lm / 3900 lm	120 lm/W

PRODUCT RANGE (600)

ORDER CODE	PRODUCT NUMBER	SKU
EV-UMBRA-ADV-WG-1200-EM Advanced 1200 mm Wireguard Emergency Batten	9336462121870	12187
EV-UMBRA-ADV-WG-1200 Advanced 1200 mm Wireguard Batten	9336462121856	12185

UMBRA IP65

CORE



Last updated: 24 November 2022, V 1.1

PRODUCT RANGE (600MM)

ORDER CODE	PRODUCT NUMBER	SKU
EV-UMBRA-CORE-IP65-600-TRI Umbra Core 600mm LED Batten Tri-CCT	9336462121375	12137

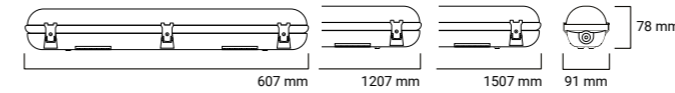
PRODUCT RANGE (1500MM)

ORDER CODE	PRODUCT NUMBER	SKU
EV-UMBRA-CORE-IP65-1500-TRI Umbra Core 1500mm LED Batten Tri-CCT	9336462145012	14501
EV-UMBRA-CORE-IP65-1500-EM-TRI Umbra Core 1500mm LED Emergency Batten Tri-CCT	9336462145029	14502

PRODUCT RANGE (1200MM)

ORDER CODE	PRODUCT NUMBER	SKU
EV-UMBRA-CORE-IP65-1200-TRI Umbra Core 1200mm LED Batten Tri-CCT	9336462121382	12138
EV-UMBRA-CORE-IP65-1200-EM-TRI Umbra Core 1200mm LED Emergency Batten Tri-CCT	9336462121399	12139
EV-UMBRA-CORE-IP65-1200-TRI-F&P Umbra Core 1200mm LED Batten Tri-CCT with Flex & Plug	9336462121313	12131
EV-UMBRA-CORE-IP65-1200-EM-TRI-F&P Umbra Core 1200mm LED Emergency Batten Tri-CCT with Flex & Plug	9336462121320	12132

DIMENSIONS



FEATURES

GENERAL FEATURES

- Tri-colour selection
- Medium body design
- Large Terminal Block
- Vandal-proof (IK08)
- Weatherproof (IP65)
- Selectable output power
- Emergency and non-emergency models

EMERGENCY MODELS (-EM)

- Fully compliant (AS/NZS 2293.3)
- High quality lithium battery (LiFePO₄) and smart charger

BUILT TO LAST

- Long life electronics
- LED lifetime 72,000 hours (L70B10)
- 6 years design life at max. ambient

SUITABLE INSTALLATION TYPES (OUT OF THE BOX)

- Standalone (SPU)

ACCESSORY RANGE

SKU	ORDER CODE	DESCRIPTION
12130	EV-UMBRA-CLIPS	Umbra Core Stainless Steel clips - Pack of 10
18096	EV-3400MAH-3.2V-LIFEPO4	LiFePO ₄ Battery 3.2V 3400mAh

LAMP SPECIFICATIONS

MODEL	STANDBY CHARGE LAMP ON	MAX CHARGE LAMP ON*	STANDBY CHARGE LAMP OFF	LUMENS (4000K / 5000K / 6500K)	EFFICACY
EV-UMBRA-CORE-IP65-600-TRI	9W	-	-	1225 lm / 1275 lm / 1200 lm	140 lm/W
	17W	-	-	2000 lm / 2150 lm / 1975 lm	126 lm/W
EV-UMBRA-CORE-IP65-1200-TRI	20W	-	-	2875 lm / 3000 lm / 2850 lm	150 lm/W
EV-UMBRA-CORE-IP65-1200-TRI-F&P	32W	-	-	4050 lm / 4400 lm / 4075 lm	137 lm/W
EV-UMBRA-CORE-IP65-1200-EM-TRI	20W	22W	1W	2875 lm / 3000 lm / 2850 lm	150 lm/W
EV-UMBRA-CORE-IP65-1200-EM-TRI-F&P	32W	34W	1W	4050 lm / 4400 lm / 4075 lm	137 lm/W
EV-UMBRA-CORE-IP65-1500-TRI	28W	-	-	3650 lm / 3850 lm / 3690 lm	137 lm/W
	50W	-	-	5700 lm / 6220 lm / 5700 lm	124 lm/W
EV-UMBRA-CORE-IP65-1500-EM-TRI	28W	30W	1W	3650 lm / 3850 lm / 3690 lm	137 lm/W
	50W	52W	1W	5700 lm / 6220 lm / 5700 lm	124 lm/W

OPERATIONAL INFORMATION

GENERAL			
Voltage	230V~ 50Hz		
Ambient temp.	0 to 40°C		
Class	1		
Mounting type	Surface		
IP rating	IP65	IK rating	IK08
CRI	80	SDCM	< 6
EMERGENCY			
Classification	C0:D40, C90:D20	Em. Power	2W
Rated duration	90 min	Em. lumens	250lm
BATTERY		CHARGE	
Type	LiFePO ₄	Type	Smart charge
Voltage	3.2 V	Time	16 Hours
Codes	18096	Operation	Multi-state
CONSTRUCTION			
Body	PC	Diffuser	PC
Gear tray	Powder coated steel	Clips	PC
COMPLIANCE			
Standards	AS/NZS 60598.2.22 AS/NZS 60598.1 AS/NZS 60598.2.1 AS/NZS 2293.3 IEC 60598-2-22	IEC 62034 AS CISPR 15 IEC 62386-102 IEC 62386-202 IEC 62386-207	IEC 62386-209 IEC 62386-252 IEC 62386-103 IEC 62386-303 IEC 62386-304

NOTE: For more information on the chemical resistance of our polycarbonate or our compliance documentation, please see our website.

UMBRA IP65

ADVANCED

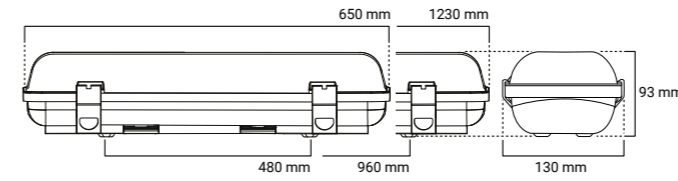


Last updated: 24 November 2022, V 1.1

PRODUCT RANGE (600MM)		
ORDER CODE	PRODUCT NUMBER	SKU
EV-UMBRA-ADV-IP65-600-TRI Advanced 600mm LED Tri-CCT Weatherproof Batten	9336462112045	11204
EV-UMBRA-ADV-IP65-600-S-TRI Advanced 600mm LED Tri-CCT Weatherproof Batten with Sensor	9336462120309	12030
EV-UMBRA-ADV-IP65-600-EM-TRI Advanced 600mm LED Tri-CCT Emergency Weatherproof Batten	9336462120354	12035
EV-UMBRA-ADV-IP65-600-EM-S-TRI Advanced 600mm LED Tri-CCT Emergency Weatherproof Batten with Sensor	9336462120316	12031

PRODUCT RANGE (1200MM)		
ORDER CODE	PRODUCT NUMBER	SKU
EV-UMBRA-ADV-IP65-1200-TRI Advanced 1200mm LED Tri-CCT Weatherproof Batten	9336462112199	11219
EV-UMBRA-ADV-IP65-1200-S-TRI Advanced 1200mm LED Tri-CCT Weatherproof Batten with Sensor	9336462120323	12032
EV-UMBRA-ADV-IP65-1200-EM-TRI Advanced 1200mm LED Tri-CCT Emergency Weatherproof Batten	9336462120354	12035
EV-UMBRA-ADV-IP65-1200-EM-S-TRI Advanced 1200mm LED Tri-CCT Emergency Weatherproof Batten with Sensor	9336462120330	12033

DIMENSIONS



FEATURES

GENERAL FEATURES

- Tri-colour selection
- Wide body design
- Large Terminal Block
- Vandal-proof (IK08)
- Weatherproof (IP65)
- Selectable output power
- Emergency and non-emergency models

EMERGENCY MODELS (-EM)

- Fully compliant (AS/NZS 2293.3)
- High quality lithium battery (LiFePO₄) and smart charger

SENSOR MODELS (-S)

- Microwave sensor
- Corridor function

BUILT TO LAST

- Long life electronics
- LED lifetime 60,000 hours (L70B10)
- 8 years design life at max. ambient

SUITABLE INSTALLATION TYPES (OUT OF THE BOX)

- Standalone (SPU)

ACCESSORY RANGE

SKU	ORDER CODE	DESCRIPTION
12404	CLIPS-AT9890-96-P	Plastic Clips (10) Kit for Umbra ADV and Pro Battens
11465	EV-SS316-WP-CLIPS	Umbra vandal resistant SS316 clips/screw/allen key kit (10 pack)
01302	EV-1500MAH-6.4V-LIFEP04	LiFePO ₄ Battery 6.4V 1500mAh

LAMP SPECIFICATIONS

MODEL	STANDBY CHARGE LAMP ON	MAX CHARGE LAMP ON*	STANDBY CHARGE LAMP OFF	LUMENS (4000K / 5000K / 6500K)	EFFICACY
EV-UMBRA-ADV-IP65-600-TRI	9W	-	-	1100 lm / 1150 lm / 1100 lm	127 lm/W
	17W	-	-	1900 lm / 2000 lm / 1850 lm	117 lm/W
EV-UMBRA-ADV-IP65-600-S-TRI	12W	-	-	1100 lm / 1150 lm / 1100 lm	95 lm/W
	19W	-	-	2050 lm / 2150 lm / 2000 lm	113 lm/W
EV-UMBRA-ADV-IP65-600-EM-TRI EV-UMBRA-ADV-IP65-600-EM-S-TRI	12W	14W	1W	1100 lm / 1150 lm / 1100 lm	95 lm/W
	19W	21W	1W	2050 lm / 2150 lm / 2000 lm	113 lm/W
EV-UMBRA-ADV-IP65-1200-TRI EV-UMBRA-ADV-IP65-1200-S-TRI	20W	-	-	2150 lm / 2200 lm / 2100 lm	110 lm/W
	31W	-	-	4100 lm / 4250 lm / 4000 lm	137 lm/W
EV-UMBRA-ADV-IP65-1200-EM-TRI EV-UMBRA-ADV-IP65-1200-EM-S-TRI	20W	22W	1W	2150 lm / 2200 lm / 2100 lm	110 lm/W
	31W	33W	1W	4100 lm / 4250 lm / 4000 lm	137 lm/W

OPERATIONAL INFORMATION

GENERAL			
Voltage	230V~ 50Hz		
Ambient temp.	0 to 40°C		
Class	1		
Wiring	Terminal block (1-16 mm □)		
Mounting type	Surface		
IP rating	IP65	IK rating	IK08
CRI	80	SDCM	< 6
EMERGENCY	-600	-1200	
Classification	C0:D50, C90:D40	C0:D63, C90:D40	
Rated duration	90 min	90 min	
Em. power	2.7W	2.9W	
Em. lumens	400lm	420lm	
BATTERY	CHARGE		
Type	LiFePO ₄	Type	Smart charge
Voltage	6.4 V	Time	16 Hours
Codes	01302	Operation	Multi-state
CONSTRUCTION			
Body	PC	Diffuser	PC
Gear tray	Powder coated steel	Clips	Stainless Steel
COMPLIANCE			
Standards	AS/NZS 60598.2.22 AS/NZS 60598.1 AS/NZS 60598.2.1 AS/NZS 2293.3 IEC 60598-2-22	IEC 62034 AS CISPR 15 IEC 62386-102 IEC 62386-202 IEC 62386-207	IEC 62386-209 IEC 62386-252 IEC 62386-103 IEC 62386-303 IEC 62386-304

NOTE: For more information on the chemical resistance of our polycarbonate or our compliance documentation, please see our website.

UMBRA IP65

PROFESSIONAL

LYNK



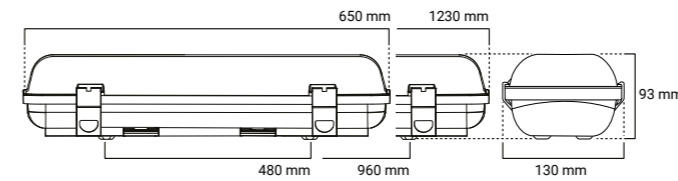
PRODUCT RANGE (600MM)

ORDER CODE	PRODUCT NUMBER	SKU
EV-UMBRA-PRO-IP65-600 Professional 600 mm Weatherproof Batten	9336462120880	12088
EV-UMBRA-PRO-IP65-600-EM Professional 600 mm Weatherproof Emergency Batten	9336462120897	12089
EV-UMBRA-PRO-IP65-600-S Professional 600 mm Weatherproof Batten, w/sensor	9336462120903	12090
EV-UMBRA-PRO-IP65-600-EM-S Professional 600 mm Weatherproof Emergency Batten, w/sensor	9336462120910	12091
EV-UMBRA-PRO-IP65-600-LK Lynk Umbra 600mm Professional Batten - w/wireless	9336462126103	12610
EV-UMBRA-PRO-IP65-600-EM-LK Lynk Umbra 600mm Professional Emergency Batten - w/wireless	9336462126110	12611
EV-UMBRA-PRO-IP65-600-S-LK Lynk Umbra 600mm Professional Batten, w/sensor - w/wireless	9336462126127	12612
EV-UMBRA-PRO-IP65-600-EM-S-LK Lynk Umbra 600mm Professional Emergency Batten, w/sensor - w/wireless	9336462126134	12613

PRODUCT RANGE (1200MM)

ORDER CODE	PRODUCT NUMBER	SKU
EV-UMBRA-PRO-IP65-1200 Professional 1200 mm Weatherproof Batten	9336462120927	12092
EV-UMBRA-PRO-IP65-1200-EM Professional 1200 mm Weatherproof Emergency Batten	9336462120934	12093
EV-UMBRA-PRO-IP65-1200-S Professional 1200 mm Weatherproof Batten, w/sensor	9336462120941	12094
EV-UMBRA-PRO-IP65-1200-EM-S Professional 1200 mm Weatherproof Emergency Batten, w/sensor	9336462120958	12095
EV-UMBRA-PRO-IP65-1200-LK Lynk Umbra 1200mm Professional Batten - w/wireless	9336462126141	12614
EV-UMBRA-PRO-IP65-1200-EM-LK Lynk Umbra 1200mm Professional Emergency Batten - w/wireless	9336462126158	12615
EV-UMBRA-PRO-IP65-1200-S-LK Lynk Umbra 1200mm Professional Batten, w/sensor - w/wireless	9336462126165	12616
EV-UMBRA-PRO-IP65-1200-EM-S-LK Lynk Umbra 1200mm Professional Emergency Batten, w/sensor - w/wireless	9336462126172	12617

DIMENSIONS



FEATURES

GENERAL FEATURES

- Power monitoring (DT51)
- Wide body design
- Large Terminal Block
- Flicker-free dimming controlled by DALI (DT6)
- Emergency and non-emergency models
- Vandal-proof (IK08) and weatherproof (IP65)

EMERGENCY MODELS (-EM)

- Fully compliant (AS/NZS 2293.3)
- Soft-start charger to reduce building load
- High quality lithium battery (LiFePO₄) and smart charger

SENSOR MODELS (-S)

- Microwave sensor suitable for DALI-2 supporting IEC 62386-303
- Light level sensor suitable for DALI-2 supporting IEC 62386-304
- Corridor mode function in standalone operation

BUILT TO LAST

- Long life electronics
- LED Lifetime 100,000 hours (L80B20)
- 12 years product design life at max. ambient

SUITABLE INSTALLATION TYPES (OUT OF THE BOX)

- Standalone (SPU)
- Self test (AS2293/IEC62034)
- DALI (IEC62386)
- Ektor wired monitored system
- Wireless monitoring (with **Lynk**, Wireless Expansion module)

ACCESSORY RANGE

SKU	ORDER CODE	DESCRIPTION
12404	CLIPS-AT9890-96-P	Plastic Clips (10) Kit for Umbra ADV and Pro Battens
11465	EV-SS316-WP-CLIPS	Umbra vandal resistant SS316 clips/screw/allen key kit (10 pack)
01302	EV-1500MAH-6.4V-LIFEP04	LiFePO ₄ Battery 6.4V 1500mAh
01303	EV-3000MAH-6.4V-LIFEP04	LiFePO ₄ Battery 6.4V 3000mAh

LAMP SPECIFICATIONS

MODEL	STANDBY CHARGE LAMP ON	MAX CHARGE LAMP ON*	STANDBY CHARGE LAMP OFF	LUMENS 4000K	EFFICACY
EV-UMBRA-PRO-IP65-600-TRI EV-UMBRA-PRO-IP65-600-S-TRI	18W	-	0.3W	> 2300 lm	> 130 lm/W
EV-UMBRA-PRO-IP65-600-EM-TRI EV-UMBRA-PRO-IP65-600-EM-S-TRI	18W	20W	0.3W	> 2300 lm	> 130 lm/W
EV-UMBRA-PRO-IP65-1200-TRI EV-UMBRA-PRO-IP65-1200-S-TRI	28W	-	0.3W	> 4300 lm	> 153 lm/W
EV-UMBRA-PRO-IP65-1200-EM-TRI EV-UMBRA-PRO-IP65-1200-EM-S-TRI	28W	31W	0.3W	> 4100 lm	> 146 lm/W

* **Lynk** models only

All photometric data has a tolerance of ± 10%.

OPERATIONAL INFORMATION

GENERAL			
Voltage	230V~ 50Hz		
Ambient temp.	0 to 40°C		
Class	1		
IP rating	IP65	IK rating	IK08
CRI	>84	SDCM	< 3
Wiring	Terminal block (1-16 mm \square)		
Mounting type	Surface		
Wireless*	IEC62386-104 over Thread		
Sensor range	Ø 10 m (sensor mounted at 2.7 m height)		
CCT	4000K		
EMERGENCY		-600	-1200
Em. lamp power	1.9W	3.9W	
Em. lumens	315lm	675lm	
Rated duration	90 min	90 min	
Classification	C0:D40, C90:D32	C0:D80, C90:D63	
BATTERY		CHARGE	
Type	LiFePO ₄	Type	Smart charge
Voltage	6.4 V	Time	16 Hours
Codes	01302 (-600)	Operation	Multi-state
	01303 (-1200)		
CONSTRUCTION			
Body	PC	Gear tray	Powder coated steel
Diffuser	PC	Clips	Stainless steel
COMPLIANCE			
Standards	AS/NZS 60598.2.22 AS/NZS 2293.3 AS/NZS 60598.1 AS/NZS 60598.2.1 AS/NZS 61347.1 IEC 60598-2-22	IEC 62034 CISPR 15 IEC 62386-101 IEC 62386-102 IEC 62386-202 IEC 62386-207	IEC 62386-252 IEC 62386-103 IEC 62386-303 IEC 62386-304

NOTE: For more information on the chemical resistance of our polycarbonate or our compliance documentation, please see our website.



UMBRA EXCLUSIVE WARRANTY

EXTENDED PARTS AND ONSITE WARRANTY

Exclusive to the Umbra range, the Umbra Warranty provides licensed electricians with additional coverage over and above Evolt's standard Back to Base warranty.

Re-engineered to provide improved features and quality, we're so confident in our range of Umbras, we're backing it with our exclusive warranty – that's up to eight years on extended parts with the first two years covered by an onsite warranty*. If approved, our warranty provides the option for one of our contractors to complete the work for you, or do it yourself.

In the event of the onsite claim being outside the geographic range for our contractors, you have the option to carry out the work yourself. See the details of our warranty labour allowance on our website ektor.com.au



1. KEEP YOUR RECEIPTS

Hang on to your proof of purchase documentation. You'll need to submit this if you make a claim.



2. MAKE A CLAIM

In the event of a claim, fill out the details on our claim form, attaching your proof of purchase, and we'll be back in contact with you within two working days.

ONSITE WARRANTY

If approved, the Umbra Warranty provides a two year onsite warranty.*

EXTENDED PARTS

The Umbra Warranty provides coverage for up to eight years on extended parts.*

ELEVATED WORK PLATFORM

The Umbra Warranty provides coverage for an elevated work platform for the removal and installation of failed fittings.*

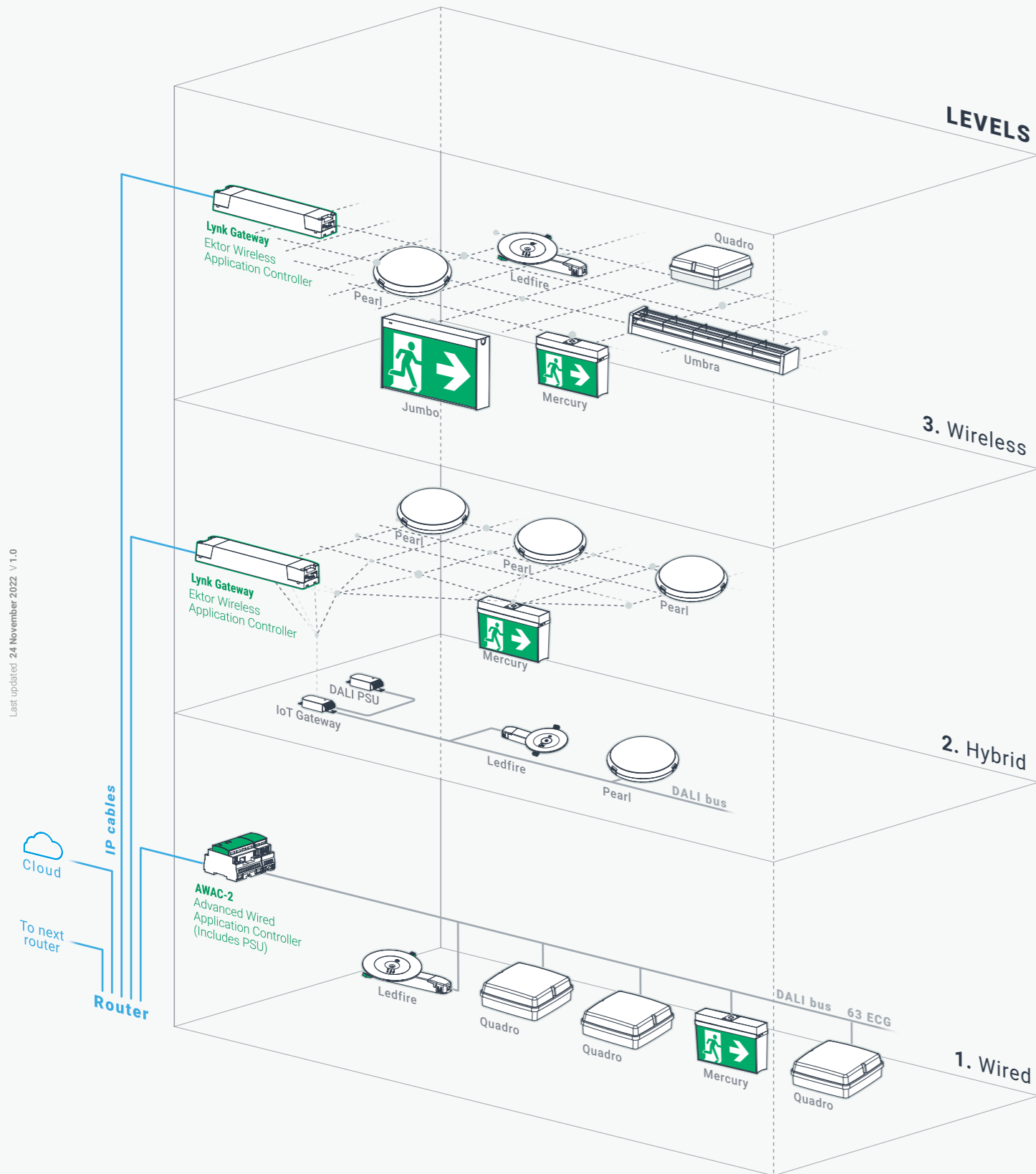
PRODUCT TYPE	ONSITE	BACK TO BASE	TOTAL
Core	2 Years	5 Years	5 Years
Advanced	2 Years	6 Years	6 Years
Professional	2 Years	8 Years	8 Years



Make a claim or [find out more here](#)

* Terms and conditions apply.

CONTROLLERS



Ektor offers both wired and wireless control. **Lynk**, our wireless test and monitoring solution, delivers a smart, future-proof option to meet regulatory compliance. Easy to deploy or retrofit, and simple to use.

SMART EMERGENCIES



CLOUD

Control your emergencies remotely. Automatic testing, easy reporting and commissioning.



FUTURE PROOF

Scaleable infrastructure for wired and wireless solutions, with regular updates to maintain industry developments.



LYNK MESH

Wireless mesh IEC62386-104 over Thread: Identify and test faster, removing the need and cost of additional wiring.

MODELS



AWAC-2

Ektor *Advanced Wired Application Controller* is a fully DALI-2 compliant and compatible Ethernet gateway.



LYNK GATEWAY

Allows the emergency lighting to connect together, creating their own network for control and reporting.



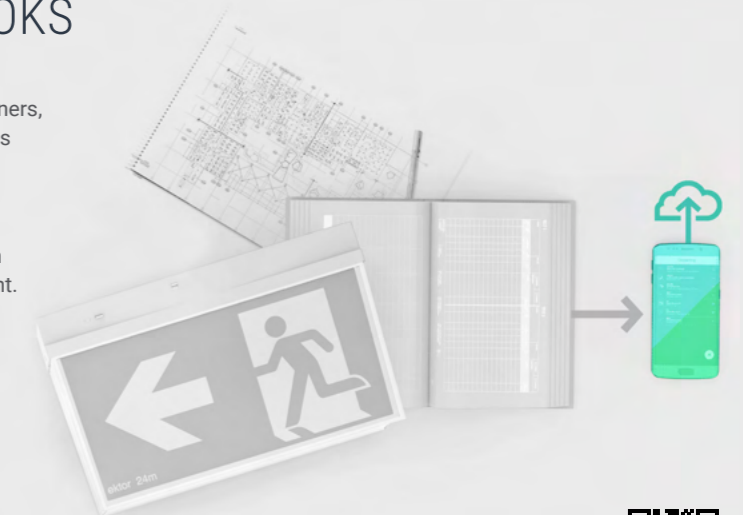
EMERGENCY TIMER

The Emergency Timer and Test Switch is a manual emergency test facility, available as Core and Professional model.

ONLINE EMERGENCY LOG BOOKS

Ektor employs the zencontrol cloud system, allowing building owners, installers and electricians to monitor and control all their buildings from one secure, encrypted, and easy to use interface. The cloud represents seamless bi-directional building lighting management with a full set of class leading features. Cloud control makes commissioning and setup fast and efficient. With zencontrol plan building monitoring, fault reporting and testing is fast and efficient.

- Copy/paste existing setups to replicate setting across controlled items.
- Quickly identify problem setups and issues as the cloud alerts the user.
- Shows the status of connected devices including activated lights and failures.
- Control lights individually and initiate emergency testing directly from the interface.



Visit zencontrol.com/cloud for more details

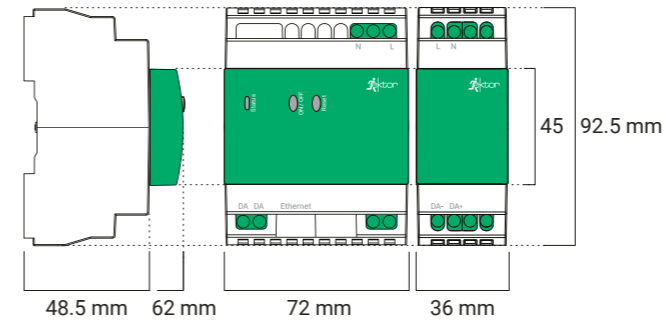


AWAC-2

PROFESSIONAL



DIMENSIONS



FEATURES

GENERAL FEATURES

- Long life electronics
- DALI-2 compliant and certified
- Protected against DALI over voltage
- Compatible with DALI devices and systems
- Suitable for one DALI line of up to 64 ECGs
- Suitable for distribution board mounting on standard DIN rail

CONTROLLER FEATURES

- Compliant to IEC 62386-103 Ed 2.0, multi master application controller
- LED indicators for system status
- Reinforced insulation between DALI, mains supply and Ethernet
- 10/100 TCP/IP Ethernet compatible w. standard IT switches and equipment
- Emergency testing and reporting using IEC 62386-202

POWER SUPPLY FEATURES

- 235 mA DALI line current
- Protected against short circuit
- Tested and compliant to IEC 62386-101 Ed 2.0
- Advanced bus power supply, as defined by IEC 62386-101 Ed 2.0

CONTROLLER OPERATIONAL INFORMATION

GENERAL

Voltage	230V ~ 50Hz
Control system	DALI-2
DALI line current	2 mA
Ethernet	10 / 100 TCP / IP Ethernet
Ambient temp.	0 to 40°C
Class	2
IP rating	IP20
Wiring	1 - 4 mm ² Strip 6 - 7 mm
Mounting type	DIN rail (35 mm)
Body	PC V2, 750

COMPLIANCE

Standards	IEC 61347-2-11	EN 55015
	IEC 60950-1	EN 55022
	IEC 62386-103	
	CISPR 15 CISPR 22	

NOTE: For more information on the chemical resistance of our polycarbonate or our compliance documentation, please see our website.

POWER SUPPLY OPERATIONAL INFORMATION

GENERAL

Voltage	220 - 240 V ~ 50Hz
Control system	DALI-2
Guaranteed supply current	235 mA
Maximum supply current	250 mA
DALI voltage	16.5 V nominal line voltage
Ambient temp.	0 to 45°C
Class	2
IP rating	IP20
Wiring	1 - 4 mm ² Strip 6 - 7 mm
Mounting type	DIN rail (35 mm)
Body	PC

COMPLIANCE

Standards	IEC 61347-2-11	CISPR 15
	IEC 60950-1	CISPR 22
	IEC 62386-101	EN 55015

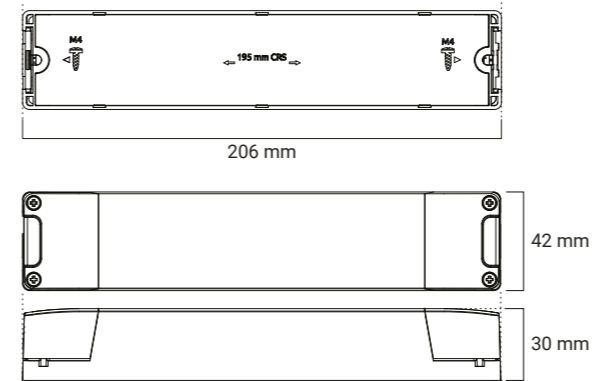
PRODUCT RANGE

ORDER CODE	PRODUCT NUMBER	SKU
EV-AWAC-2-KIT Advanced Wired Application Controller, Ethernet DALI gateway with power supply	9336462161012	16101

LYNK GATEWAY

LYNK

DIMENSIONS



FEATURES

GENERAL FEATURES

- Suitable for one wireless network with up to 64 ECGs
- 10 / 100 Ethernet gateway to connect to Cloud and extended system
- Works with compliant ECGs supporting IEC 62386-104 over Thread
- Automatic commissioning of standard features
- Suitable for field mounting in ceiling
- Emergency testing and reporting using IEC62386-202 over IEC62386-104

BUILT TO LAST

- Long life electronics
- 12 years design life at max. ambient

OPERATIONAL INFORMATION

GENERAL

Voltage	230V~ 50Hz
Control system	IEC62386-104 over Thread
Ethernet	10/100 TCP/IP Ethernet
Radio support	IEEE 802.15.4
Frequency band	2.4 GHz
Max radio tx power	+8 dBm
Ambient temp.	0 to 40°C
Class	2
IP rating	IP20
Wiring	1 - 4 mm ² Strip 6 - 7 mm
Mounting type	Field mount

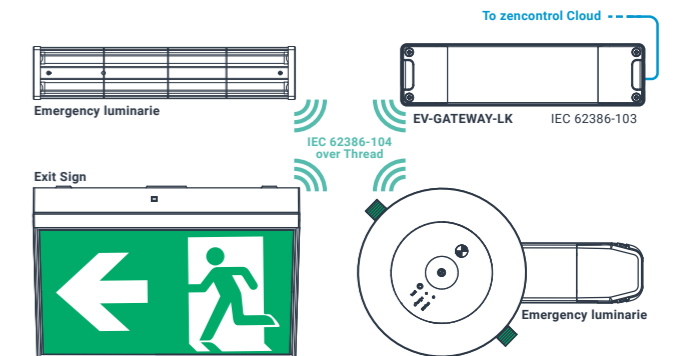
CONSTRUCTION

Body	PC
Fixing centres	195 mm

COMPLIANCE

Standards	IEC 61347-2-11	IEC 62386-104	EN 55015
	IEC 60950-1	IEC 62386-103	EN 55022

NOTE: For more information on the chemical resistance of our polycarbonate or our compliance documentation, please see our website.



PRODUCT RANGE

ORDER CODE	PRODUCT NUMBER	SKU
EV-GATEWAY-LK Ektor Lynk Gateway, Wireless Application Controller	9336462128039	12803

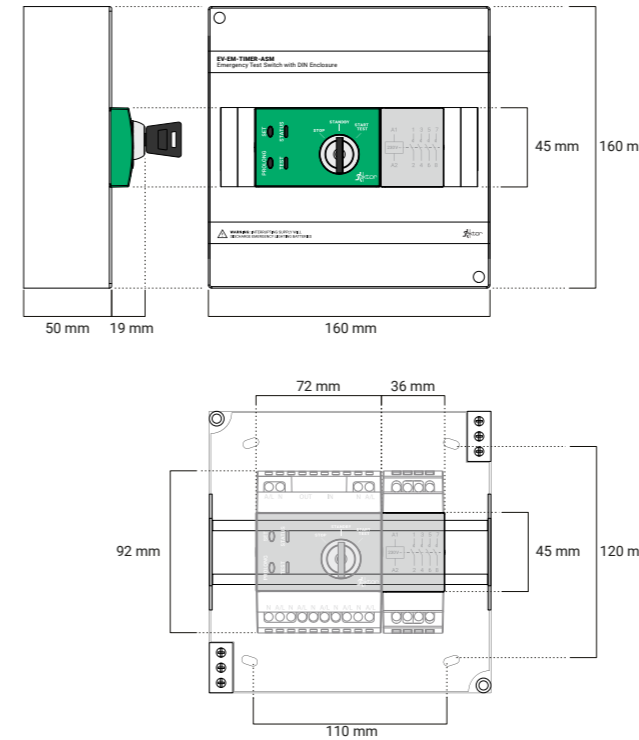
EMERGENCY TIMER

CORE


Last updated: 24 November 2022 V 1.1

PRODUCT RANGE

ORDER CODE	PRODUCT NUMBER	SKU
EV-EM-TIMER-BASIC Emergency Test Switch with DIN Enclosure	9336462111048	11104

DIMENSIONS

OPERATIONAL INFORMATION

GENERAL	
Voltage	230V ~ 50Hz
Ambient temp.	0 to 40°C
Class	2
Wiring	Terminal block (6 mm \square)
IP rating	IP20
Mounting type	Field mounted
EMERGENCY	
Rated duration	90/120 min (selectable)
Power consumption	2.3 W
RELAY	
Supply Connection	Screw terminal for 1-4 mm ² cable
Relay Connection	Screw terminal for 1-6 mm ² cable
Type	4-pole non-latching NC Load 16A 240V~ max
CONSTRUCTION	
Body	PC
COMPLIANCE	

NOTE: For more information on the chemical resistance of our polycarbonate or our compliance documentation, please see our website.

FEATURES
GENERAL FEATURES

- Easy configuration and control
- Extended period to allow walk around
- All-in-one unit to meet compliance needs pre-fitted into PC enclosure.
- Manually operated discharge test (90/120 min duration)
- Supplied with 4-pole normally closed (NC) contactor
- Prolong, provision for time-delay to remain in emergency mode for lighting requiring cooldown

BUILT TO LAST

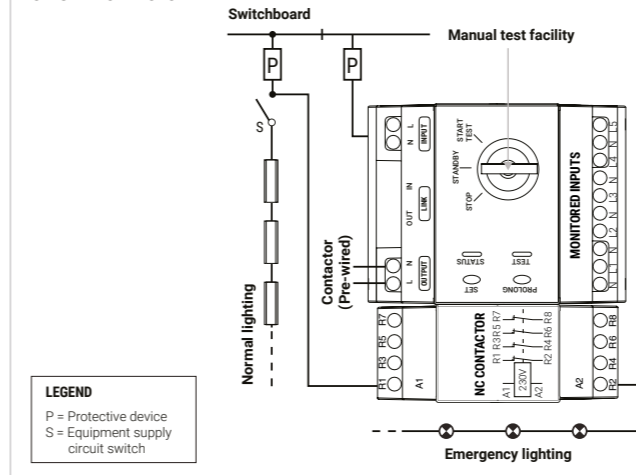
- Long life electronics
- 6 years design life at max. ambient

INSTALLATION
Single-Point System

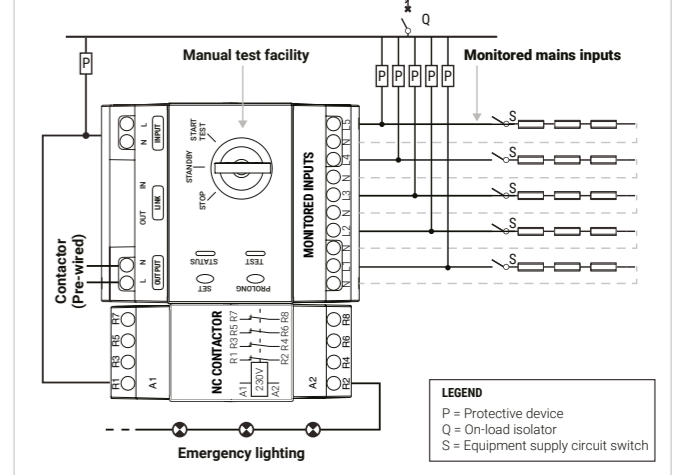
In single-point systems the self-contained emergency luminaires and exit signs are configured in such a way if that the power fails on the normal lighting sub-circuit the emergency devices will be powered by the emergency power source.

Monitoring Multiple Circuits

In centralised test facilities loss of supply on any sensing circuit connected to the normal fittings will automatically energize emergency luminaires and exit signs in the area served by the normal lighting sub-circuit.

SINGLE-POINT SYSTEM


LEGEND
 P = Protective device
 S = Equipment supply circuit switch

MONITORING MULTIPLE CIRCUITS


LEGEND
 P = Protective device
 Q = On-load isolator
 S = Equipment supply circuit switch

EMERGENCY TIMER

PROFESSIONAL



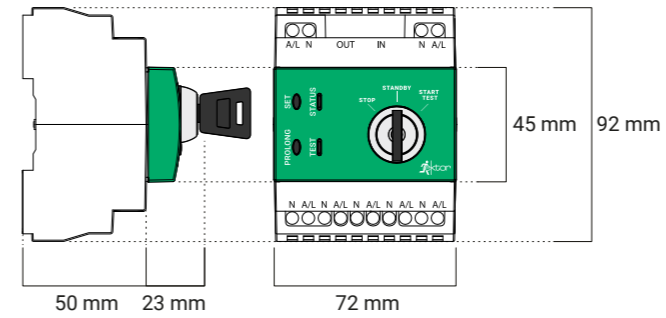
Last updated: 24 November 2022, V 1.1

PRODUCT RANGE

ORDER CODE	PRODUCT NUMBER	SKU
EV-EM-TIMER* Emergency Test Switch	9336462020029	2002

*Contactor not included

DIMENSIONS



FEATURES

GENERAL FEATURES

- Easy configuration and control
- Extended period to allow walk around
- All-in-one unit to meet compliance needs
- Manually operated discharge test (90/120 min duration)
- 5 sensing circuits, links up to 6 units for 30 sense circuits
- Brown-out trigger ensures AS/NZS 60598.2.22 Clause 22.17 is met
- Prolong, provision for time-delay to remain in emergency mode for lighting requiring cooldown

BUILT TO LAST

- Long life electronics
- 12 years design life at max. ambient

Note: NC contactor not supplied

INSTALLATION

Single-Point System

In single-point systems the self-contained emergency luminaires and exit signs are configured in such a way that if the power fails on the normal lighting sub-circuit the emergency devices will be powered by the emergency power source.

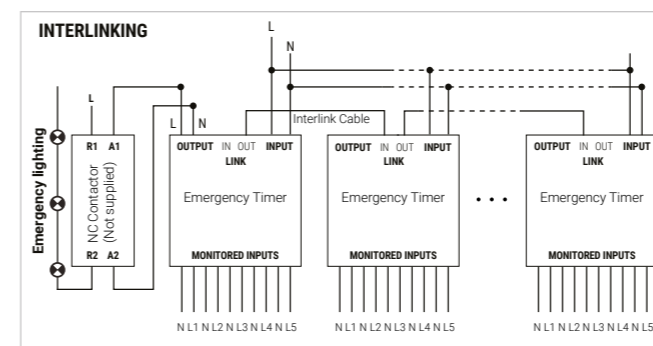
Monitoring Multiple Circuits

In centralised test facilities loss of supply on any sensing circuit connected to the normal fittings will automatically energize emergency luminaires and exit signs in the area served by the normal lighting sub-circuit.

Interlinking

Up to 6x units can be connected together, allowing up to 30 main circuits to be monitored.

NOTE: The interlink cable is only used to trigger an emergency condition. The setting of prolong and relay mode will need to be set on each Emergency Test Switch.



OPERATIONAL INFORMATION

GENERAL

Voltage	230V~ 50Hz
Ambient temp.	0 to 40°C
Class	2
Wiring	Terminal block (6 mm \square)
IP rating	IP20
Mounting Type	35mm DIN rail

EMERGENCY

Rated duration	90/120 min (selectable)
Power consumption	2.3 W + 0.5W per monitored channel

RELAY

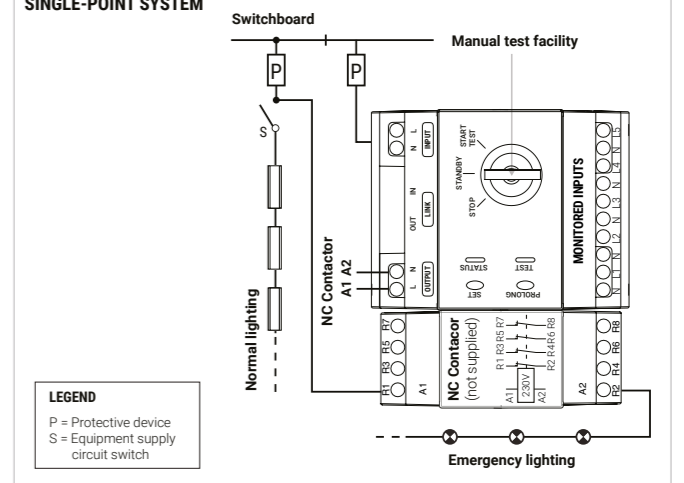
Connection	Screw terminal for 1-4 mm ² cable		
Type	Non-latching	Load	2A 240V~ max

CONSTRUCTION

Body	PC
Weight (net/gross)	0.2 kg / 6.1 kg

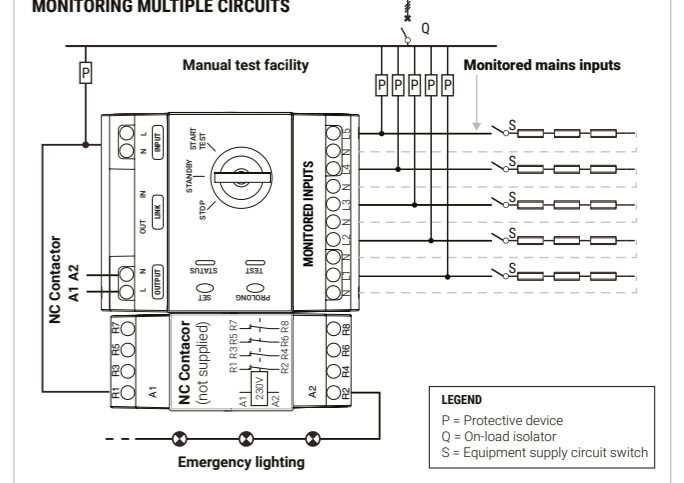
NOTE: For more information on the chemical resistance of our polycarbonate or our compliance documentation, please see our website.

SINGLE-POINT SYSTEM



LEGEND
P = Protective device
S = Equipment supply circuit switch

MONITORING MULTIPLE CIRCUITS



LEGEND
P = Protective device
Q = On-load isolator
S = Equipment supply circuit switch

WARRANTY

EKTOR PRODUCTS ARE DISTRIBUTED IN AUSTRALIA AND NEW ZEALAND BY EVOLT PTY LIMITED ('US', 'OUR', OR 'WE'). OUR CONTACT INFORMATION IS SHOWN ON THIS CATALOGUE.

Ektor products are distributed in Australia and New Zealand by Evolt Pty Ltd (Evolt). The Australian Consumer Law as well as other Australian laws guarantee certain conditions, warranties and undertakings, and give you other legal rights, in relation to the quality and fitness for purpose of Ektor products sold in Australia. In Australia, our goods come with guarantees that cannot be excluded under the Australian Consumer Law. You are entitled to a replacement or refund for a major failure and compensation for any other reasonably foreseeable loss or damage. You are also entitled to have the goods repaired or replaced if the goods fail to be of acceptable quality and the failure does not amount to a major failure. What constitutes a major failure is set out in the Australian Consumer Law. Nothing in this Warranty purports to modify or exclude the conditions, warranties and undertakings, and other legal rights, under the Australian Competition and Consumer Act and other Australian laws

Ektor products are warranted in Australia from the date of delivery of the product, provided that the products are properly stored, installed, used and maintained in accordance with the instructions contained within their manual.

Products that have been altered in any way or used other than in accordance with their instructions are not covered by this warranty.

Subject to the terms of this contractual warranty, if your Ektor products are defective, we will (at our election) repair or replace the Ektor products. Once we make this election (and take the relevant action), we will have honored our obligations under this contractual warranty.

This warranty is not transferable and is valid only in the hands of the purchaser of the product. The warranty does not cover Ektor products other than those purchased from Evolt. Proof of purchase must be provided to Evolt with any warranty claim. Evolt recommends that the purchaser attaches their proof of purchase to their product manual. Evolt's total liability under this warranty is limited to the cost of repair or replacement of the faulty product. Evolt may satisfy its obligations under this warranty in full by repair or replacement of a faulty product.

This warranty does not apply to consumable items such as lamps or batteries or other items that can be classified as consumable. For the avoidance of any doubt, any and all warranties or conditions

which are not guaranteed under the Australian Competition and Consumer Act or the Australian Competition and Consumer Regulations 2010 and which are not expressly included in this Warranty as additional warranties or conditions are excluded.

This Warranty does not cover loss or damage caused by wear and tear, misuse, incorrect installation or operation, failure to clean and maintain, incorrect voltage or non authorised electrical connections, adverse external conditions (such as power surges and dips, acts of God, exposure to heat, corrosion, insect or vermin infestation), use of non-authorized or defective parts or globes, or to items that have been repaired other than by Evolt or a repairer approved by Evolt.

Subject to the conditions set out in the warranty statement Ektor products are warranted by Evolt as described in the table.

PRODUCT TYPE	WARRANTY PERIOD
Core/Basic*	5 Years
Advanced/Lite*	6 Years
Professional*	8 Years
Ledfire lamp head (non-maintained)	Lifetime
Umbral Exclusive	Additional 2 year onsite Warranty
General lighting products and components	5 Years
Controllers, bridges, repeaters	3 Years
Accessories, software, or consumables	1 Year

Note: Warranty period applies to products sold after 1/11/2022. For older products, visit our website.

*Excludes general lighting products such as battens, bunkers and other lighting and excludes general lighting components when used in an emergency product. These products are covered by our general lighting products warranty.

TERMS & CONDITIONS OF SALE

Unless otherwise agreed to in writing, all goods (“Goods”) sold or offered for sale by Evolt Pty. Ltd ACN 112 123 529 ABN 83 112 123 529 (hereinafter referred to as “Evolt”) are done so subject to the following conditions:

PRICES

PRICES:

All prices are quoted excluding GST, and any GST applicable will be charged to the Buyer on a Tax Invoice (as defined in the GST Act).

QUOTATIONS:

Quotation pricing is valid for three (3) months.

DELIVERY

Late delivery or non-delivery due to any circumstances or events beyond Evolt’s control shall not constitute a breach of contract by Evolt and Evolt shall not be liable for any loss or damage howsoever arising through such late delivery or non-delivery. The choice of the carrier and method of transport remains with Evolt, unless transport is paid for by the Buyer.

WARRANTIES

THE WARRANTIES:

Subject to paragraphs 4 and 5, unless otherwise agreed between the parties in writing, Goods manufactured, or sold, by Evolt under any of its’ Brand Names, are warranted against faulty materials and/or workmanship for (1) one year from date of delivery.

CONDITIONS OF WARRANTY

The warranties set out in paragraph 3 are subject to compliance with the following conditions:

Goods must be used and handled with due care, under normal operating conditions and in accordance with the Relevant Standards and good practices.

Goods must be mounted, installed and connected with due care and in accordance with the Relevant Standards and good practices.

Goods must be returned to Evolt’s local office within 14 days of the detection of the alleged fault in their then current condition. Wilfully damaged or defaced Goods are excluded from this warranty.

Evolt reserves the right to request that the complete piece of equipment containing the allegedly faulty component be returned to Evolt for inspection and testing.

In the case of any dispute under this warranty, Evolt reserves the right to obtain the opinion of a suitably qualified independent expert whose opinion as to any question of fact under this warranty shall be binding on the parties.

LIMITATION OF LIABILITY

Evolt will not be liable for any loss or damage incurred by the Buyer or End User for Goods damaged as a result of negligence, alteration, accident, use of the Goods in a way which is not in compliance with the Relevant Standards or use of the Goods in any way for which the Goods were not designed or approved by Evolt or as a result of improper fitting, repair or replacement.

The liability of Evolt in respect of faulty materials or workmanship shall, at the option of Evolt, be limited to one of the following:

- the replacement of the Goods;
- the supply of equivalent Goods;
- the repair of the Goods; or
- the payment of the cost of having the Goods repaired.

Evolt will not be liable for any special indirect or consequential damage arising out of the supply of the Goods.

If a claim is made by a Buyer or End User under one of the warranties set out in paragraph 4, Evolt will not accept any claim for costs, charges or expenses incurred by the Buyer or End User in relation to replacement, supply or repair of the Goods.

Except for any warranties and conditions which cannot be excluded under any Act, all warranties and conditions with regard to the Goods sold which are implied by common law, statute or trade usage are excluded to the full extent legally permissible.

PAYMENTS

Unless otherwise agreed to in writing, all invoices are net payable thirty (30) days following the month of delivery to Evolt’s head office. All payments received by Evolt must, in all cases, be allocated to the oldest account due for payment.

RETURN OF GOODS

Goods will not be accepted for return without prior written consent from Evolt. Goods manufactured to Buyer’s requirements and/or specification cannot be returned for credit. Please see attachment for more details.

LOCATION OF CONTRACT (LEGAL DOMICILE)

Any contract with Evolt shall be deemed to have been executed and entered into in the State of New South Wales, Australia and the same shall be construed enforced and performed in accordance with the laws thereof. Any proceedings shall be brought and heard in the courts of the State of New South Wales.

TITLE AND RISK

Evolt supplies Goods on condition that, property in the Goods does not pass to the Buyer until they have been paid in full and Evolt has been paid for all other moneys then owing to Evolt by the Buyer.

notwithstanding paragraph 11.1, the Goods are at the risk of the Buyer as soon as they have been delivered to or into the custody of the Buyer or the Buyer’s agent.

until property in the Goods passes to the Buyer under paragraph 11.1, the Goods are merely entrusted to the Buyer as fiduciary and Evolt remains the legal and beneficial owner of the Goods with full power to re-sell and regain possession of them if the Buyer defaults in payment of the purchase price.

if the Buyer defaults in payment of the purchase price or if the Buyer becomes insolvent, Evolt and/or its authorised agents may at any time without notice to the Buyer enter onto the Buyer’s premises and any other premises at which the Goods are situated including but not limited to the Buyers premises or the End Users Premises for the purpose of recovering possession of them. The Buyer agrees to indemnify the Seller against all costs, losses and expenses (including without limitation legal costs) incurred by the Seller as a result of or in connection with any default or breach of these Terms and Conditions of Sale by the Buyer.

if the Buyer receives any proceeds from the sale of the Goods from any other party, the Buyer receives those proceeds on trust for Evolt to be applied in payment of the purchase price for the Goods and shall remit such sum forthwith to Evolt. All such payments received by Evolt shall be allocated to the oldest account due for payment.

CONFLICT WITH BUYER’S TERMS

If any purchase order or other trading terms of the Buyer conflict with or are inconsistent with any of Evolt’s terms and conditions of sale, then Evolt’s terms and conditions of sale as amended from time to time prevail and will apply notwithstanding any conflicting or inconsistent terms of the Buyer. The Buyer acknowledges that the sale by Evolt of any Goods will not constitute acceptance of any conditions of purchase of the Buyer which conflict or are inconsistent with any of Evolt’s terms and conditions of sale, even where Evolt acknowledges the Buyer’s conditions prior to, upon or by delivery of Goods.

NON-WAIVER

A waiver by Evolt with respect to any breach or default by the Buyer shall not constitute a continuing waiver of any other breach or default or of any other right or remedy. A failure or delay by Evolt in exercising a right or remedy does not operate as a waiver of that right or remedy

VARIATION

A variation of these Terms and Conditions of Sale shall be ineffective unless it is in writing and signed by Evolt.

SEVERABILITY

If a Court determines that a condition or part of these conditions is unenforceable, illegal or void then it shall be severed and the remainder of these Terms and Conditions of Sale shall remain operative.

DEFINITIONS

In these Terms and Conditions of Sale the following terms shall have the following meanings:

“Brand Names” means “Evolt”, “Ektor”, “Atom”.

“Buyer” means the buyer of the Goods;

“End User” means a person or business which purchases or uses Goods supplied directly or indirectly by the Buyer;

“Goods and Services Tax” or “GST” has the same meaning as given in the GST Act;

“GST Act” means the A New Tax System (Goods and Services Tax) Act 1999 (Commonwealth);

“Relevant Standards” means the relevant International Organisation for Standardisation (“ISO”) standard and the relevant International Electro technical Commission (“IEC”) standard applicable to the Goods.

ACKNOWLEDGMENT & INDEMNITY

The Buyer shall, in every instance where the Goods are being purchased from Evolt for an End User or the Goods are on sold to an End User;

ensure either by inclusion into any contract between the Buyer and the End User or otherwise that the End User is aware of and agrees to these Terms and Conditions upon which Evolt supplies the Goods, and

indemnifies and agrees to keep indemnified Evolt from all claims, demands, suits and liabilities whatsoever and howsoever arising whether in tort or in contract that may be made by End Users regarding the Goods.



Market hall



AUSTRALIA

sales@evolt.com.au
PO Box 271
Kingsgrove NSW 1480
evolt.com.au

NEW ZEALAND

sales@evolt.co.nz
651A Rosebank Rd, Avondale
Auckland 1026
evolt.co.nz